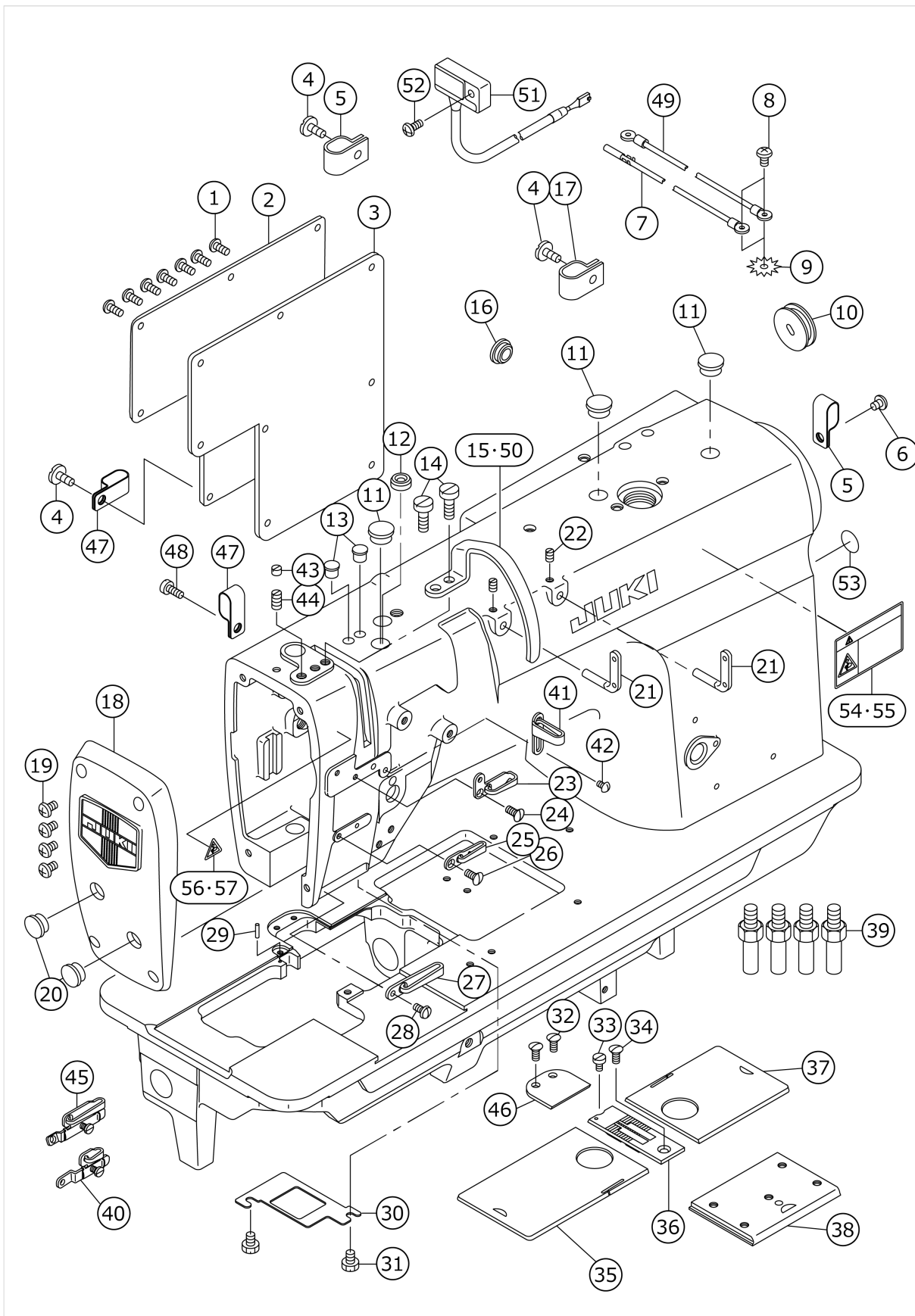


LH-3182-4/LH-3182-7

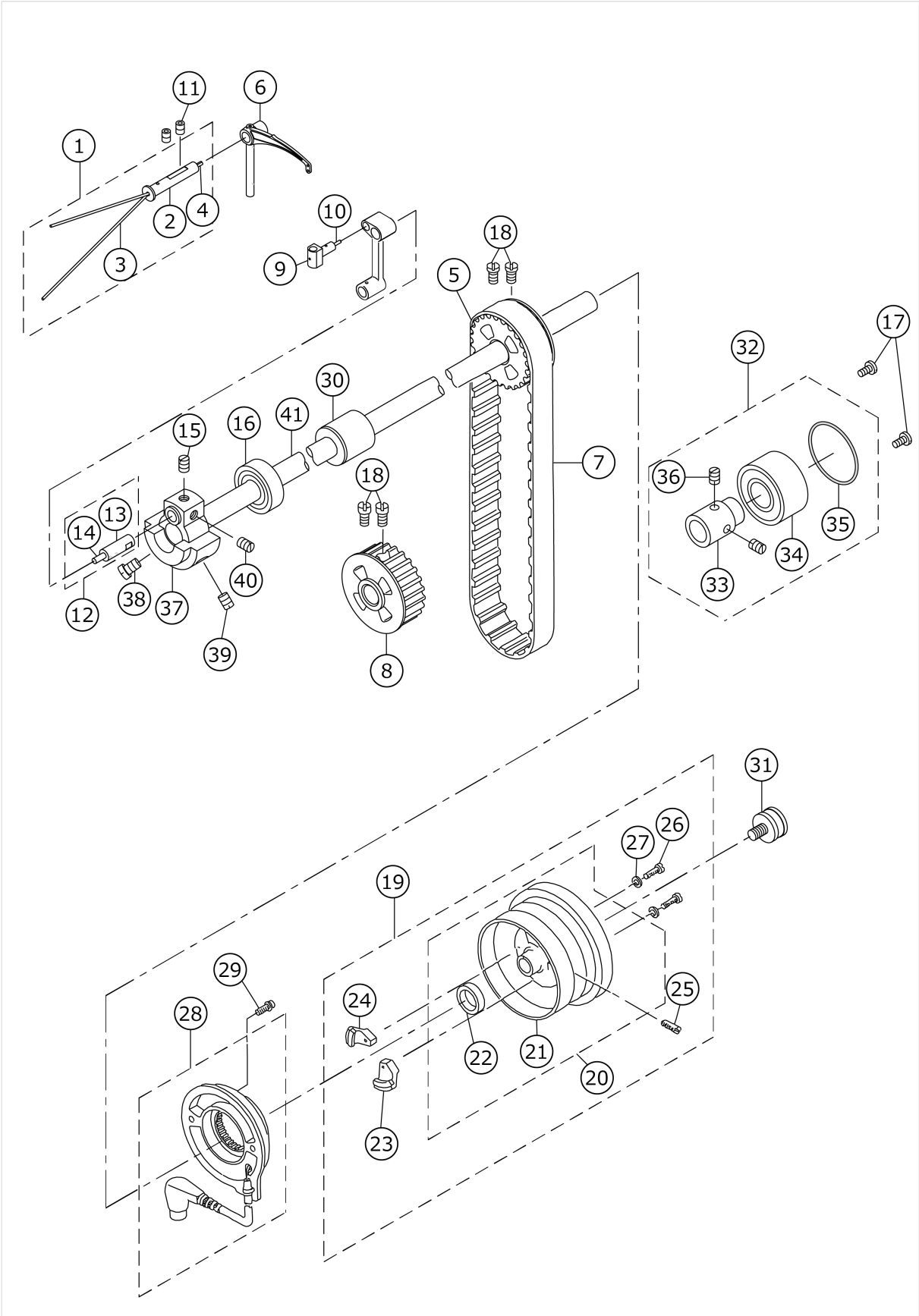
FRAME & MISCELLANEOUS COVER COMPONENTS



No.	品番	品名	備考	子部品	消耗品	個数
1	SS4110815SP	SCREW 11/64-40 L=8				5.00
2	10602902	SLIDE PLATE				1.00
3	10101004	GASKET				1.00
4	SS6111140SP	SCREW 11/64-40 L=11				3.00
5	D2112555B00	CORD HOLDER, LARGE				2.00
6	SS4120615SP	SCREW 3/16-28 L=6				1.00
7	22951552	GROUND WIRE ASM.	FOR LH-3182-7			1.00
8	SS4120615SP	SCREW 3/16-28 L=6				1.00
9	WT0530002KS	TOOTHED WASHER D=5.3				1.00
10	22657803	RUBBER PLUG				1.00
11	TA1250406R0	RUBBER PLUG D=12.5 L=4				3.00
12	22620900	CAP				1.00
13	TA0750704R0	RUBBER PLUG				2.00
14	SS6151780SP	SCREW 15/64-28 L=17.0				2.00
15	22810105	THREAD TAKE-UP LEVER OIL GUARD	EXCEPT JAPAN & JE			1.00
16	TA1250406R0	RUBBER PLUG D=12.5 L=4				1.00
17	D2112555B00	CORD HOLDER, LARGE	FOR -WB, -WO, -OB			1.00
18	22680250	FACE PLATE ASM.				1.00
19	SS4121015SP	SCREW 3/16-28 L=10				4.00
20	TA1250406R0	RUBBER PLUG D=12.5 L=4				2.00
21	22920706	TWO EYELET				2.00
22	SS8120740SP	SCREW 3/16-28 L=7				2.00
23	22811400	THREAD GUIDE(UPPER), LEFT				1.00
24	SS2090710TP	SCREW 9/64-40 L=7.2				1.00
25	22603112	THREAD GUIDE				1.00
26	SS2090710TP	SCREW 9/64-40 L=7.2				1.00
27	22603203	THREAD GUIDE(LOWER)	OPTIONAL PART			1.00
28	SS2090710TP	SCREW 9/64-40 L=7.2				1.00
29	B1104051000	THROAT PLATE PIN				1.00
30	22680003	PLATE				1.00
31	SS9110460CP	SCREW 11/64-40 L=4				2.00
32	SS2090710TP	SCREW 9/64-40 L=7.2				2.00
33	SS6090630SP	SCREW 9/64-40 L=6				1.00
34	SS2110920TP	SCREW 11/64-40 L=8.5				1.00
35	22650857	BED SLIDE LEFT, ASM., A	EXCHANGING GAUGE PART(SEE P. 33)			1.00
36	22660609	THROAT PLATE 1/4	EXCHANGING GAUGE PART(SEE P. 33)			1.00
37	22650352	BED SLIDE RIGHT, ASM., A	EXCHANGING GAUGE PART(SEE P. 33)			1.00
38	22650055	BED SLIDE ASM.				1.00
39	22602601	BED SCREW STUD				4.00
40	22651459	THREAD GUIDE ASM., E				1.00
41	22811301	THREAD GUIDE(UPPER), RIGHT				1.00
42	SS3090610SP	SCREW 9/64-40 L=6				1.00

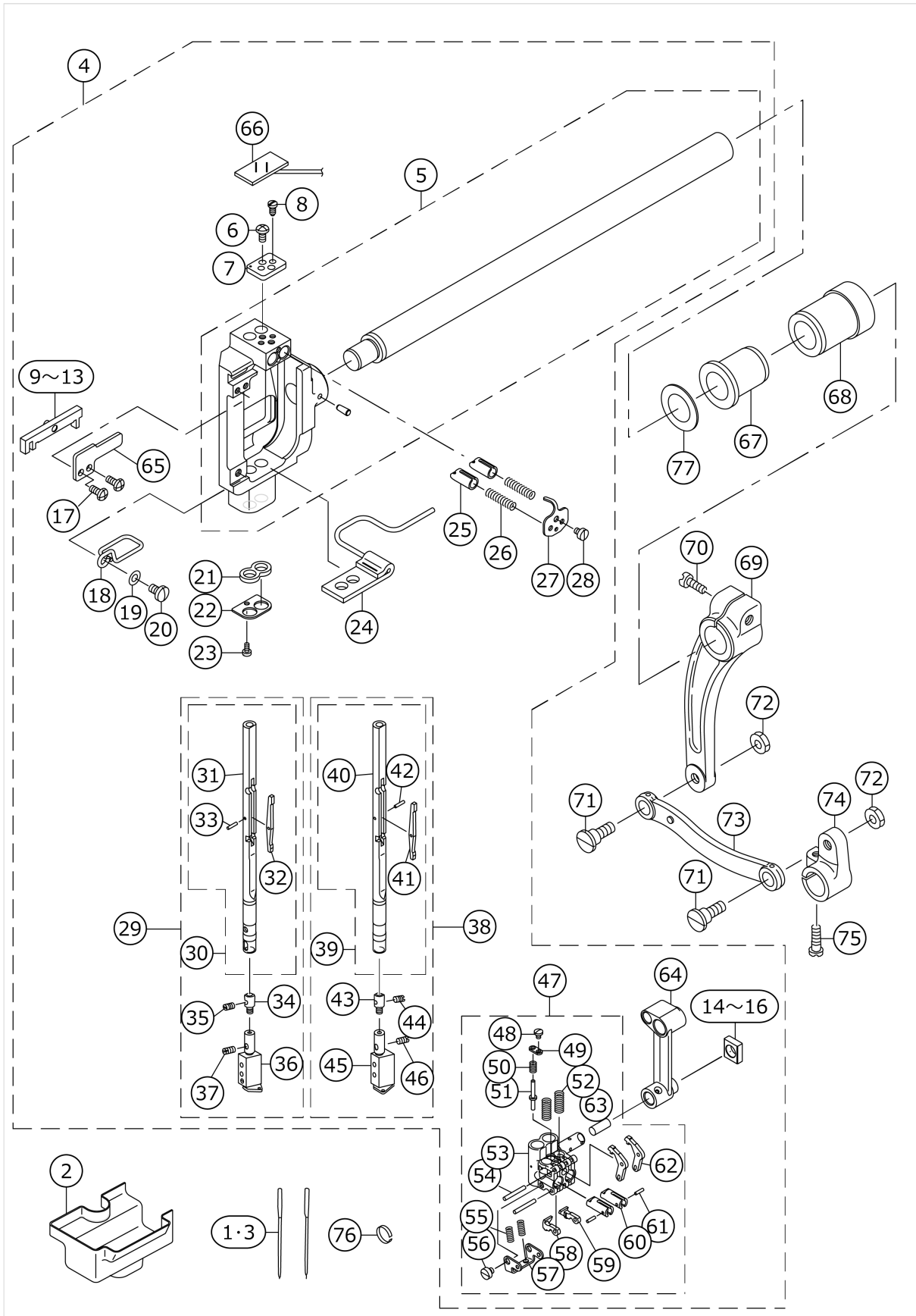
43	SS8150410TP	SCREW 15/64-28 L= 4.0				1.00
44	SS8151150SP	SCREW 15/64-28 L=10.5				1.00
45	22811558	THREAD GUIDE F ASM.	OPTIONAL PART			1.00
46	22651202	AUXILIARY COVER				1.00
47	D2112555B00	CORD HOLDER, LARGE	FOR -WB, -WO, -OB			2.00
48	SS4120615SP	SCREW 3/16-28 L=6	FOR -WB, -WO, -OB			1.00
49	10741759	GROUND WIRE ASM.	FOR LH-3182-4			1.00
50	22818009	BALANCE COVER(FOR JE)	FOR JAPAN ,JE			1.00
51	M6045350AAA	RESISTANCE PACK ASM.AA	EXCEPT JE			1.00
52	SS4111015SP	SCREW 11/64-40 L=10	EXCEPT JE			1.00
53	10004109	GROUND MARK				1.00
54	CM3002001A1	SAFETY LABEL,,3 (SMALL).	EXCEPT JAPAN & JE			1.00
55	CM300200101	SAFETY LABEL, 1(SMALL).	FOR JAPAN			1.00
56	CM3002000B1	LABEL(16)	FOR JAPAN			1.00
57	CM300200001	ATTENTION SEAL	FOR JE			1.00

MAIN SHAFT & NEEDLE BAR COMPONENTS



No.	品番	品名	備考	子部品	消耗品	個数
1	22605356	THREAD TAKE-UP LEVER PIN ASM.				1.00
2	22605307	THREAD TAKE-UP LEVER PIN		*		1.00
3	CQ202000000	OIL WICK		*		0.40
4	CQ252000000	OIL WICK		*		0.04
5	22604904	UPPER SPROCKET				1.00
6	23204001	THREAD TAKE-UP LEVER D				1.00
7	22604300	TIMING BELT				1.00
8	22651608	SPROCKET WHEEL				1.00
9	22605406	TAKE-UP LEVER THRUST PIN				1.00
10	CQ252000000	OIL WICK				0.03
11	SS8150822TP	SCREW 15/64-28 L=8				2.00
12	22680656	NEEDLE BAR CRANK PIN ASM.				1.00
13	22680607	NEEDLE BAR CRANK PIN		*		1.00
14	CQ505000000	OIL WICK		*		0.03
15	SS8680540SP	SCREW 9/32-28 L= 4.5				1.00
16	B1202512000	MAIN SHAFT BUSHING, FRONT				1.00
17	SS7120760SP	SCREW 3/16-28 L= 7.0				2.00
18	SS6661110SP	SCREW 1/4-40 L=11				4.00
19	22651566	HAND WHEEL ASM.	FOR LH-3182-7			1.00
20	22651558	HAND WHEEL	FOR LH-3182-7	*		1.00
21	22651509	HAND WHEEL		*		1.00
22	M4002110000	GENERATOR ROTOR	FOR LH-3182-7	*		1.00
23	M40071100AA	MAGNET FITTING BASE A ASM.	FOR LH-3182-7	*		1.00
24	M40071100AB	MAGNET FITTING BASE B ASM.	FOR LH-3182-7	*		1.00
25	SS8151550SP	SCREW 15/64-28 L=15		*		2.00
26	SS6111210SP	SCREW 11/64-40 L=12	FOR LH-3182-7	*		2.00
27	WP0450801SD	WASHER 4.5X10X0.8	FOR LH-3182-7	*		2.00
28	11032562	DYNAMO STATOR	FOR LH-3182-4			1.00
29	10604809	SCREW				2.00
30	22603906	UPPER SHAFT INNER METAL				1.00
31	22622401	SYNCR0 FRNGE	FOR LH-3182-4			1.00
32	22604656	THRUST COLLAR ASM.				1.00
33	22604607	THRUST COLLAR		*		1.00
34	SB120000100	BEARING D=20X47		*		1.00
35	RO437200200	RUBBER RING		*		1.00
36	SS8660530TP	SCREW 1/4-40 L= 4.5		*		2.00
37	22604409	COUNTERWEIGHT				1.00
38	SS7681750TP	SCREW 9/32-28 L=16.5				1.00
39	SS8681650TP	SCREW 9/32-28 L=16				1.00
40	SS8680810TP	SCREW 9/32-28 L=8.0				1.00
41	22604003	MAIN SHAFT				1.00

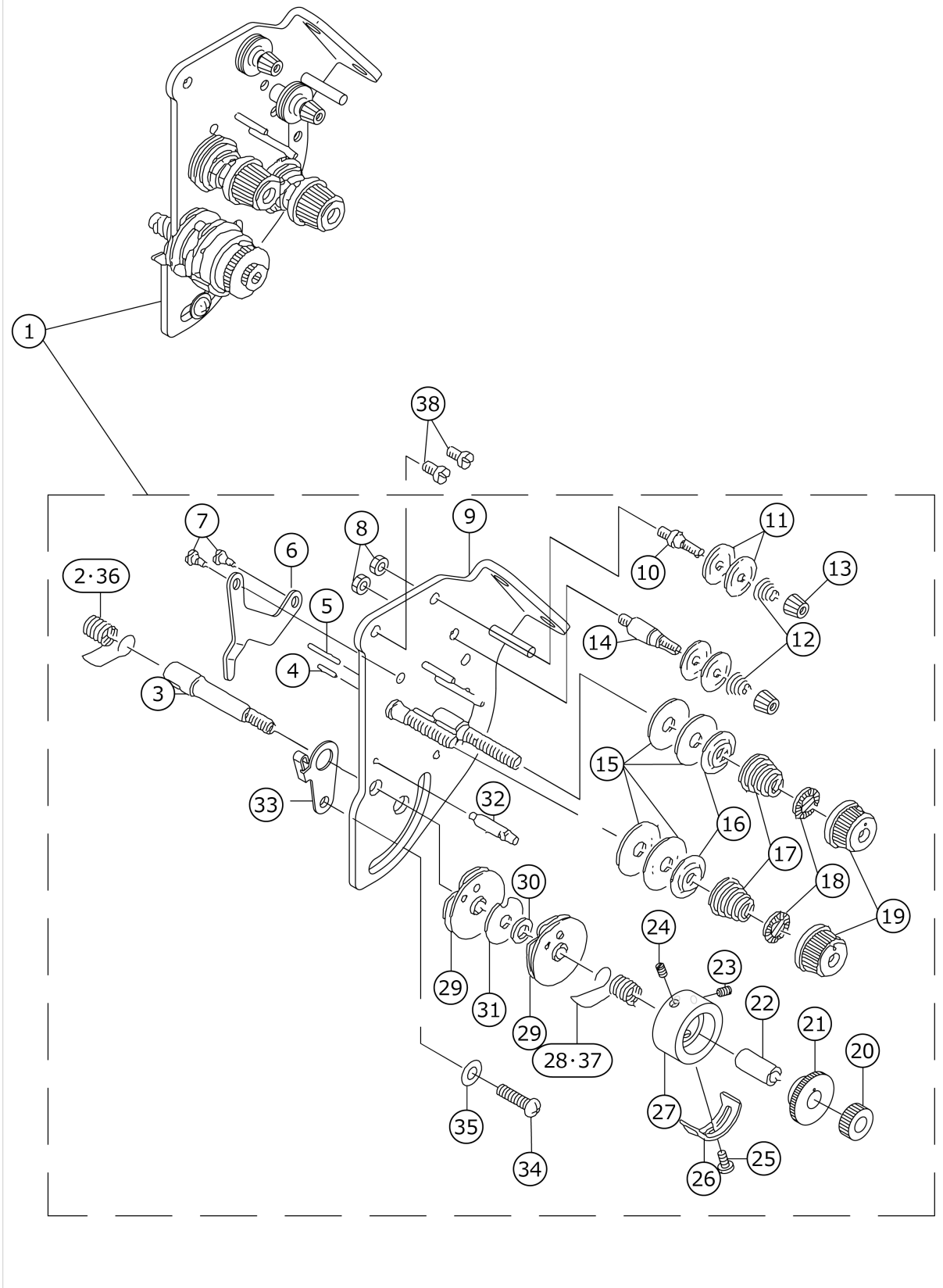
NEEDLE BAR COMPONENTS



No.	品番	品名	備考	子部品	消耗品	個数
1	MDP500B2100	NEEDLE DPX5 #21				2.00
2	22685705	OIL GUARD RUBBER				1.00
3	MC200501300	NEEDLE 134 NM130	FOR THE DESTINATION			2.00
4	22693451	NEEDLE BAR ROCKING BASE ASM.				1.00
5	23204951	NEEDLE BAR ROCKING BASE ASM.		*		1.00
6	SS4090715SP	SCREW 9/64-40 L=7		*		2.00
7	22682702	NEEDLE BAR SWIVEL STOPPER		*		1.00
8	22681712	STOPPER SCREW		*		2.00
9	22681951	SLIDER BLOCK ASM. A	SELECTIVE PART	*		1.00
10	22682058	SLIDER BLOCK ASM. B	SELECTIVE PART	*		1.00
11	22682157	SLIDE BLOCK	SELECTIVE PART	*		1.00
12	22682256	SLIDER BLOCK ASM. D	SELECTIVE PART	*		1.00
13	22682355	SLIDER BLOCK ASM. E	SELECTIVE PART	*		1.00
14	23204506	ROCKING ROD SQUARE BLOCK A	SELECTIVE PART	*		1.00
15	23204605	ROCKING ROD SQUARE BLOCK B	SELECTIVE PART	*		1.00
16	23204704	ROCKING ROD SQUARE BLOCK C	SELECTIVE PART	*		1.00
17	SS4090815SP	SCREW 9/64-40 L=8		*		2.00
18	22685903	FELT GUIDE		*		1.00
19	WP0450000SD	WASHER 4.5X8X0.5		*		1.00
20	SS7110710SP	SCREW 11/64-40 L=7		*		1.00
21	22686000	NEEDLE BAR OIL SEAL FELT, A		*		1.00
22	22685804	NEEDLE BAR OIL SEAL PLATE		*		1.00
23	SS6060510TP	SCREW 3/32-56 L=4.5		*		1.00
24	22686158	OIL SEAL FELT ASM., B		*		1.00
25	22681407	NEEDLE BAR STOPPER		*		2.00
26	22681506	SPRING		*		2.00
27	22681316	NEEDLE BAR STOPPER SPRING HOOK		*		1.00
28	SS6080410SP	SCREW 1/8-44 L=4		*		1.00
29	22693253	NEEDLE BAR UNIT, LEFT		*		1.00
30	22685150	NEEDLE BAR ASM., LEFT		*		1.00
31	22685101	NEEDLE BAR, LEFT		*		1.00
32	22685200	SEESAW PLATE		*		1.00
33	22685408	NEEDLE BAR PIN		*		1.00
34	B1416528000	COLLAR		*		1.00
35	B1425526000	SCREW 1/8-44 L=6		*		1.00
36	B1402528FALA	NEEDLE CLAMP ASM. 1/4	EXCHANGING GAUGE PART(SEE P. 33)	*		1.00
37	B1425526000	SCREW 1/8-44 L=6		*		1.00
38	22693352	NEEDLE BAR UNIT, RIGHT		*		1.00
39	22685358	NEEDLE BAR ASM., RIGHT		*		1.00
40	22685309	NEEDLE BAR, RIGHT		*		1.00
41	22685200	SEESAW PLATE		*		1.00
42	22685408	NEEDLE BAR PIN		*		1.00
43	B1416528000	COLLAR		*		1.00
44	B1425526000	SCREW 1/8-44 L=6		*		1.00
45	B1402528FARA	NEEDLE CLAMP ASM. 1/4	EXCHANGING GAUGE PART(SEE P. 33)	*		1.00

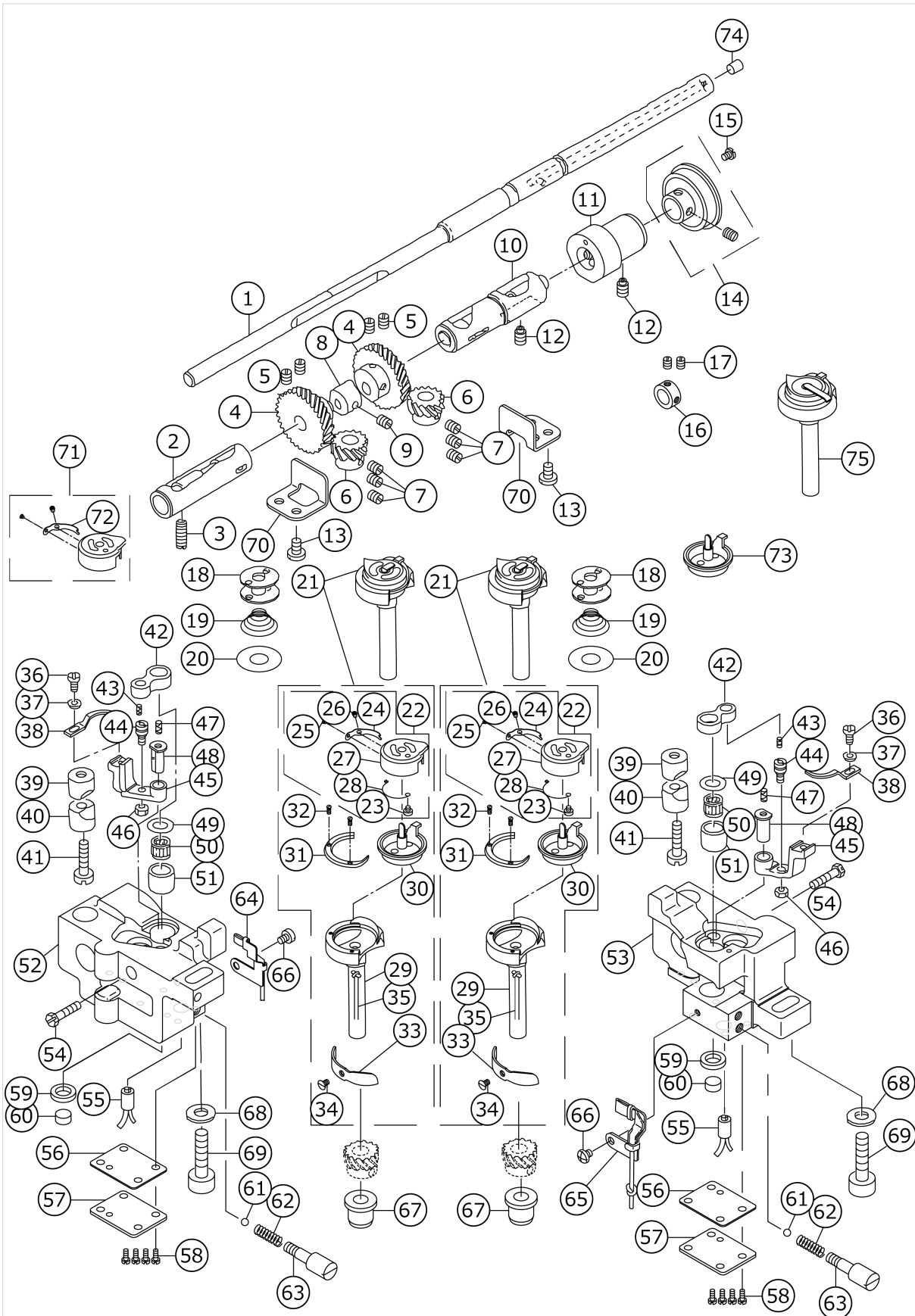
46	B1425526000	SCREW 1/8-44 L=6		*		1.00
47	22683056	NEEDLE BAR CONNECTION ASM.		*		1.00
48	SS7060310SP	SCREW 3/32-56 L=3		*		1.00
49	22683205	RELEASE PIN COVER		*		1.00
50	22683304	SPRING		*		1.00
51	22683106	RELEASE PIN		*		1.00
52	22683809	SPRING		*		2.00
53	22683007	NEEDLE BAR CONNECTION		*		1.00
54	22683403	NEEDLE BAR CONNECTION PIN		*		2.00
55	22684104	SPRING		*		2.00
56	SS6080340SP	SCREW 1/8-44 L=2.9		*		2.00
57	22684203	SPRING BRACKET		*		1.00
58	22683908	CLUTCH STOPPER, LEFT		*		1.00
59	22684005	CLUTCH STOPPER, RIGHT		*		1.00
60	22683502	NEEDLE BAR CLUTCH		*		2.00
61	B1705850000	STOPPER PIN		*		2.00
62	22683601	CLUTCH LEVER		*		2.00
63	CQ252000000	OIL WICK		*		0.03
64	22684609	NEEDLE BAR CRANK ROD		*		1.00
65	22681803	SLIDE BLOCK GUIDE PLATE		*		1.00
66	22682850	FELT ASM.		*		1.00
67	22607303	BUSHING				1.00
68	22607402	BUSHING				1.00
69	22607006	REAR ARM				1.00
70	SS6152440SP	SCREW 15/64-28 L=23.5				1.00
71	SD0870601SP	HINGE SCREW D= 8.73 H= 6.0				2.00
72	NS6150430SP	NUT 15/64-28				2.00
73	22607105	DRIVING ROD				1.00
74	22607204	DRIVING ARM				1.00
75	SS6121610TP	SCREW 3/16-28 L=15.5				1.00
76	B1414512000	OIL WICK RETAINER				1.00
77	B1438512B00	WASHER 17.1X28X1.5	SELECTIVE PART			1.00

TENSION POST COMPONENTS



No.	品番	品名	備考	子部品	消耗品	個数
1	22618557	THREAD TENSION ASM.				1.00
2	22618706	THREAD TAKE-UP SPRING A		*		1.00
3	10697605	THREAD TAKE-UP SPRING STUD		*		1.00
4	22618201	TENSION RELEASE PIN, A		*		1.00
5	22618300	TENSION RELEASE PIN, B		*		1.00
6	22618102	TENSION RELEASE LEVER		*		1.00
7	SD0470281SP	HINGE SCREW D=4.7 H=2.8		*		2.00
8	NS6110310SP	NUT 11/64-40		*		2.00
9	22618052	TENSION BASE PLATE ASM.		*		1.00
10	10124204	THREAD TENSION POST, A		*		1.00
11	10741106	FIRST THREAD TENSION PLATE		*		4.00
12	11093606	THREAD TENSION SPRING		*		2.00
13	11072402	THREAD TENSION NUT		*		2.00
14	10124303	THREAD TENSION POST, B		*		1.00
15	B3126012000	THREAD TENSION DISK		*		4.00
16	22617906	THREAD TENSION DISK PRESSER		*		2.00
17	B3114232000	THREAD TENSION SPRING		*		2.00
18	B3112704000	TENSION SPRING BUSHING		*		2.00
19	11956802	THREAD TENSION KNOB, BLUE		*		2.00
20	22617807	NUT		*		1.00
21	22617708	TAKE-UP SPRING GUIDE		*		1.00
22	B3141527000	PRESSER COLLAR		*		1.00
23	22618904	SET SCREW		*		1.00
24	22618904	SET SCREW		*		1.00
25	SS7090510SP	SCREW 9/64-40 L= 4.6		*		1.00
26	B3138527000	ADJUSTING PLATE B		*		1.00
27	22617609	THREAD TENSION POST		*		1.00
28	22618805	THREAD TAKE-UP SPRING B		*		1.00
29	B31375270A0	TAKE-UP SPRING GUIDE ASM.		*		2.00
30	B3139527000	COLLAR		*		1.00
31	B3142527000	TAKE-UP SPRING GUIDE PLATE		*		1.00
32	B3143527000	TAKE-UP SPRING GUIDE STUD		*		1.00
33	10697506	THREAD TENSION BRACKET, A		*		1.00
34	SS4110615SP	SCREW 11/64-40 L=6		*		1.00
35	WP0501016SD	WASHER 5X10.5X1		*		1.00
36	B3128520000	TENSION SPRING	OPTIONAL PARTS	*		1.00
37	22835805	TENSION SPRING(RIGHT) 0.8	OPTIONAL PARTS	*		1.00
38	SS4120615SP	SCREW 3/16-28 L=6				2.00

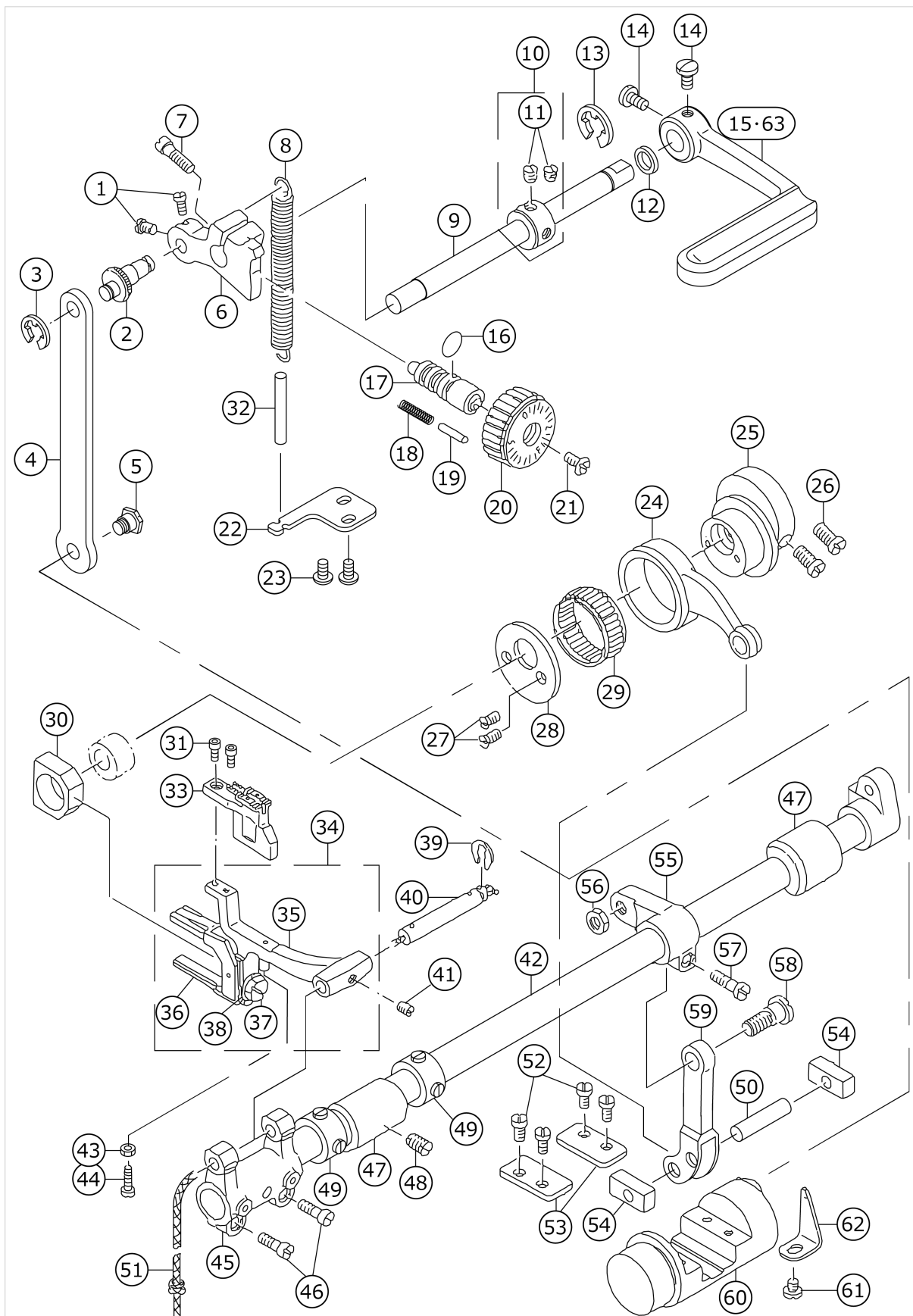
HOOK & HOOK DRIVING SHAFT COMPONENTS



No.	品番	品名	備考	子部品	消耗品	個数
1	10108512	HOOK DRIVING SHAFT				1.00
2	B18025120A0A	BUSHING ASM., FRONT	EXCHANGING GAU GE PART(SEE P. 33)			1.00
3	SS8151150SP	SCREW 15/64-28 L=10.5				1.00
4	B1816512000	HOOK DRIVING SHAFT, LARGE				2.00
5	SS8660810TP	SCREW 1/4-40 L=8				4.00
6	10112001	HOOK SHAFT GEAR, A	SELECTIVE PART			2.00
7	SS8660530TP	SCREW 1/4-40 L= 4.5				6.00
8	22609804	FEED DRIVING CAM				1.00
9	SS8660530TP	SCREW 1/4-40 L= 4.5				1.00
10	B18035150A0	BUSHING ASM., INTERMEDIATE	EXCHANGING GAU GE PART(SEE P. 33)			1.00
11	10108611	PLUNGER BUSHING				1.00
12	SS8151150SP	SCREW 15/64-28 L=10.5				2.00
13	SS7110710SP	SCREW 11/64-40 L=7				4.00
14	10611457	THRUST COLLAR ASM.				1.00
15	SS7120760SP	SCREW 3/16-28 L= 7.0				2.00
16	CS1471012SH	THRUST COLLAR D=14.72 W=10				1.00
17	SS8660530TP	SCREW 1/4-40 L= 4.5				2.00
18	10231603	BOBBIN				2.00
19	22819908	SPRING				2.00
20	22819809	SHEET				2.00
21	22831259	HOOK ASM.				2.00
22	22827257	BOBBIN CASE ASM.		*		2.00
23	SS6560150SH	SCREW 3/32-80 L=1.3		*		2.00
24	22827406	SPRING(0.3)		*		2.00
25	10110500	TENSION SPRING INSTALLING SCRE		*		2.00
26	10110609	TENSION ADJUSTING SCREW		*		2.00
27	22827208	BOBBIN CASE		*		2.00
28	22827307	SPRING		*		2.00
29	22819502	HOOK		*		2.00
30	22819403	CAP HOOK		*		2.00
31	22819304	HOOK GIB		*		2.00
32	10112803	SCREW		*		6.00
33	22813703	NEEDLE POSITIONER		*		2.00
34	22814008	SCREW		*		4.00
35	22612501	LILYYARN		*		2.00
36	SS6090810SP	SCREW 9/64-40 L= 7.5				2.00
37	WP0371016SD	WASHER 3.7X8X1				2.00
38	22813208	BOBBIN CASE OPENING LEVER				2.00
39	10109908	SADDLE INSTALLING BLOCK, UPPER				2.00
40	10112407	SADDLE INSTALLING BLOCK, LOWER				2.00
41	SS6153040SP	SCREW 15/64-28 L=30				2.00
42	22813000	BOBBIN CASE OPENING LEVER LINK				2.00
43	CQ202000000	OIL WICK				0.05
44	B1821051000	CRANK SCREW STUD				2.00
45	22813109	OPENING LEVER CRANK				2.00
46	NS6110420SP	NUT 11/64-40				2.00

47	CQ202000000	OIL WICK				0.09
48	B1823051000	OPENING LEVER CRANK PIN				2.00
49	10111201	THRUST WASHER, F	SELECTIVE PART			2.00
50	SB30953010A	NEEDLE BEARING 9.525X9.52	SELECTIVE PART			2.00
51	22812952	BUSHING				2.00
52	22819106	HOOK SHAFT SADDLE, LEFT				1.00
53	22819007	HOOK SHAFT SADDLE, RIGHT				1.00
54	SS7111810SP	SCREW 11/64-40 L=18				2.00
55	22615454	RUBBER BUSHING ASM.				2.00
56	22615108	GASKET				2.00
57	22615009	HOOK SHAFT SADDLE COVER				2.00
58	SS4110815SP	SCREW 11/64-40 L=8				8.00
59	22615306	FELT HOLDER				2.00
60	22615207	FELT				2.00
61	22615702	OIL ADJUSTING BALL				2.00
62	D3171415B0H	PRESSER SPRING				2.00
63	22615801	OIL ADJUSTING SCREW				2.00
64	22615959	OIL WICK HOLDER ASM. LEFT				1.00
65	22616254	OIL WICK HOLDER ASM. RIGHT				1.00
66	SS4110515SP	SCREW 11/64-40 L=5				2.00
67	22613400	HOOK DRIVING SHAFT BUSHING				2.00
68	WP0850002SP	WASHER 8.5X18X1.6				2.00
69	SM6082502TP	SCREW M8 L=25				2.00
70	22613608	GEAR GUIDE				2.00
71	22827653	BOBBIN CASE ASM.	OPTIONAL PARTS			2.00
72	22827505	TENSION SPRING		*		2.00
73	22827703	HOOK	OPTIONAL PARTS			2.00
74	TA0500601M0	PLUG D=5X5.4 L=6				1.00
75	22820666	THREAD CUTTER SWING HOOK ASM.	FOR JS			2.00

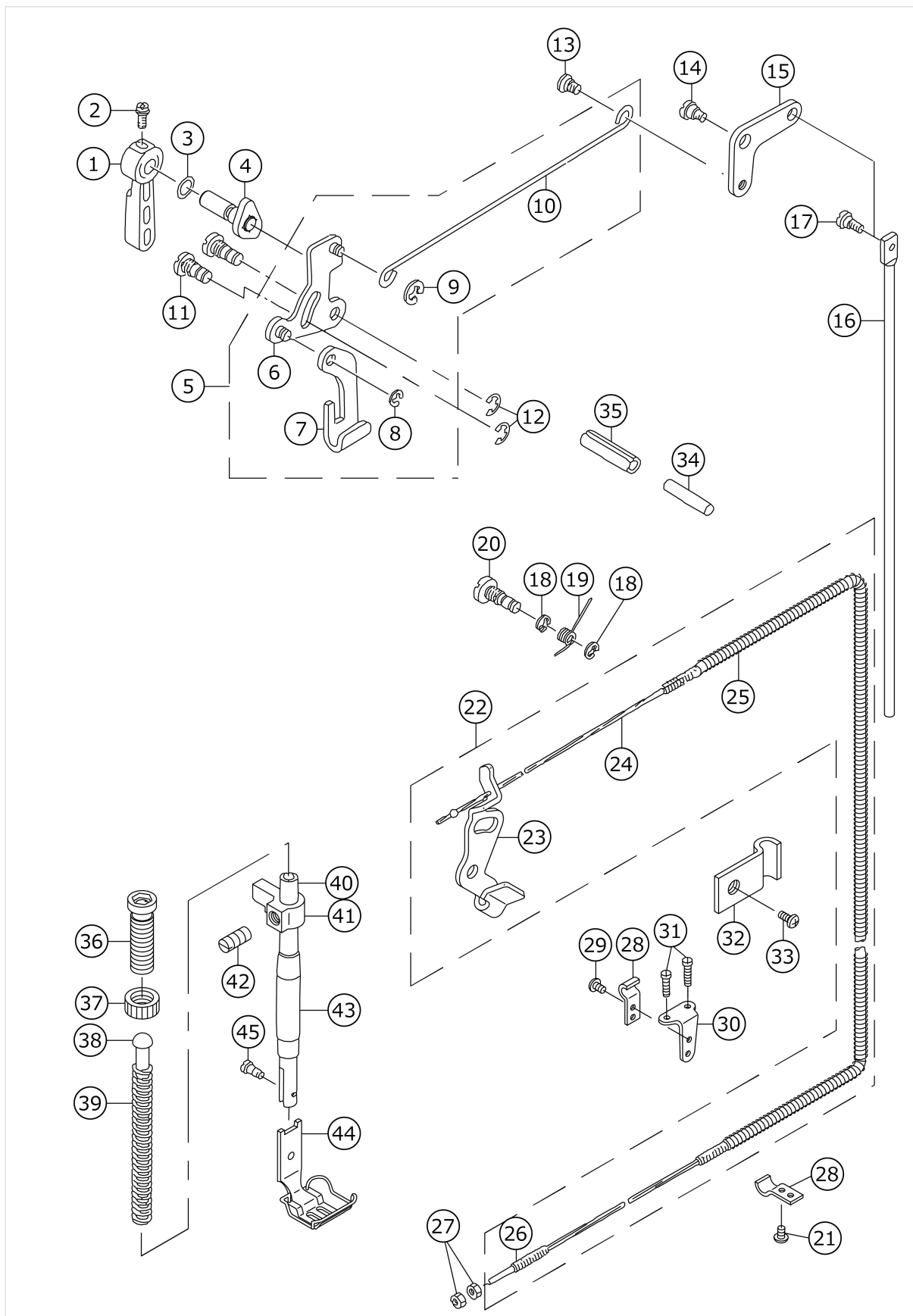
FEED MECHANISM COMPONENTS



No.	品番	品名	備考	子部品	消耗品	個数
1	SS6090670TP	SCREW 9/64-40 L=6				2.00
2	22610109	ROD PIN				1.00
3	RE0500000KO	E-RING				1.00
4	22610208	FEED REGULATOR CONNECTING ROD				1.00
5	SD0800422CP	HINGE SCREW D= 8 H= 4.2				1.00
6	22610000	FEED REGULATOR				1.00
7	SS7121410SP	SCREW 3/16-28 L=14				1.00
8	22610307	FEED REGULATOR SPRING				1.00
9	22652101	REVERSE FEED SHAFT	FOR -WB, -OB			1.00
10	CS102121ASH	THRUST COLLAR ASM. D=10.2 W=12				1.00
11	SS8660610TP	SCREW 1/4-40 L=6		*		2.00
12	10108009	OIL SEAL				1.00
13	RE0900000KO	E-RING 9				1.00
14	SS7120910SP	SCREW 3/16-28 L=9				2.00
15	22797005	REVERSE FEED CONTROL LEVER B	FOR LH-3182-7			1.00
16	RO092270200	RUBBER RING				1.00
17	11009909	FEED REGULATOR SCREW				1.00
18	22912109	FEED REGULATOR PIN SPRING				1.00
19	11052701	PIN				1.00
20	22911903	FEED DIAL				1.00
21	SS6121860SP	SCREW 3/16-28 L=18				1.00
22	22610406	SPRING BRACKET				1.00
23	SS4110815SP	SCREW 11/64-40 L=8				2.00
24	22609200	FEED ROCK SHAFT CONNECTING ROD				1.00
25	22652002	FEED DRIVE ECCENTRIC CAM				1.00
26	SS6661110SP	SCREW 1/4-40 L=11				2.00
27	SS7110710SP	SCREW 11/64-40 L=7				2.00
28	22609101	CAM COVER				1.00
29	B1636581B00	NEEDLE BEARING B				1.00
30	B1610512000	FEED DRIVING SLIDE BLOCK				1.00
31	SS6580752TP	SCREW 1/8-40 L=7				2.00
32	BT0500300EA	OIL TUBE				0.09
33	22821409	FEED DOG(D=2.4) 1/4	EXCHANGING GAUGE PART(SEE P. 33)			1.00
34	22609754	FEED BAR ASM.				1.00
35	22609705	FEED BAR		*		1.00
36	10107902	FEED BAR FORK		*		1.00
37	SS9151440CP	SCREW 15/64-28 L=14		*		1.00
38	WP0621016SD	WASHER 6.2X13X1		*		1.00
39	RE0500711KP	SNAP RING 5				1.00
40	B1604012000A	FEED BAR SHAFT				1.00
41	SM8050502TP	SCREW M5 L=5				1.00
42	22609408	FEED ROCK SHAFT				1.00
43	NS6080210SP	NUT 1/8-44				1.00
44	SS6081810SP	SCREW 1/8-44 L=18.0				1.00
45	B1603512000	FEED ROCKER				1.00
46	SS7111310TP	SCREW 11/64-40 L=12.8				2.00
47	10106102	BUSHING				2.00
48	SS8151150SP	SCREW 15/64-28 L=10.5				1.00

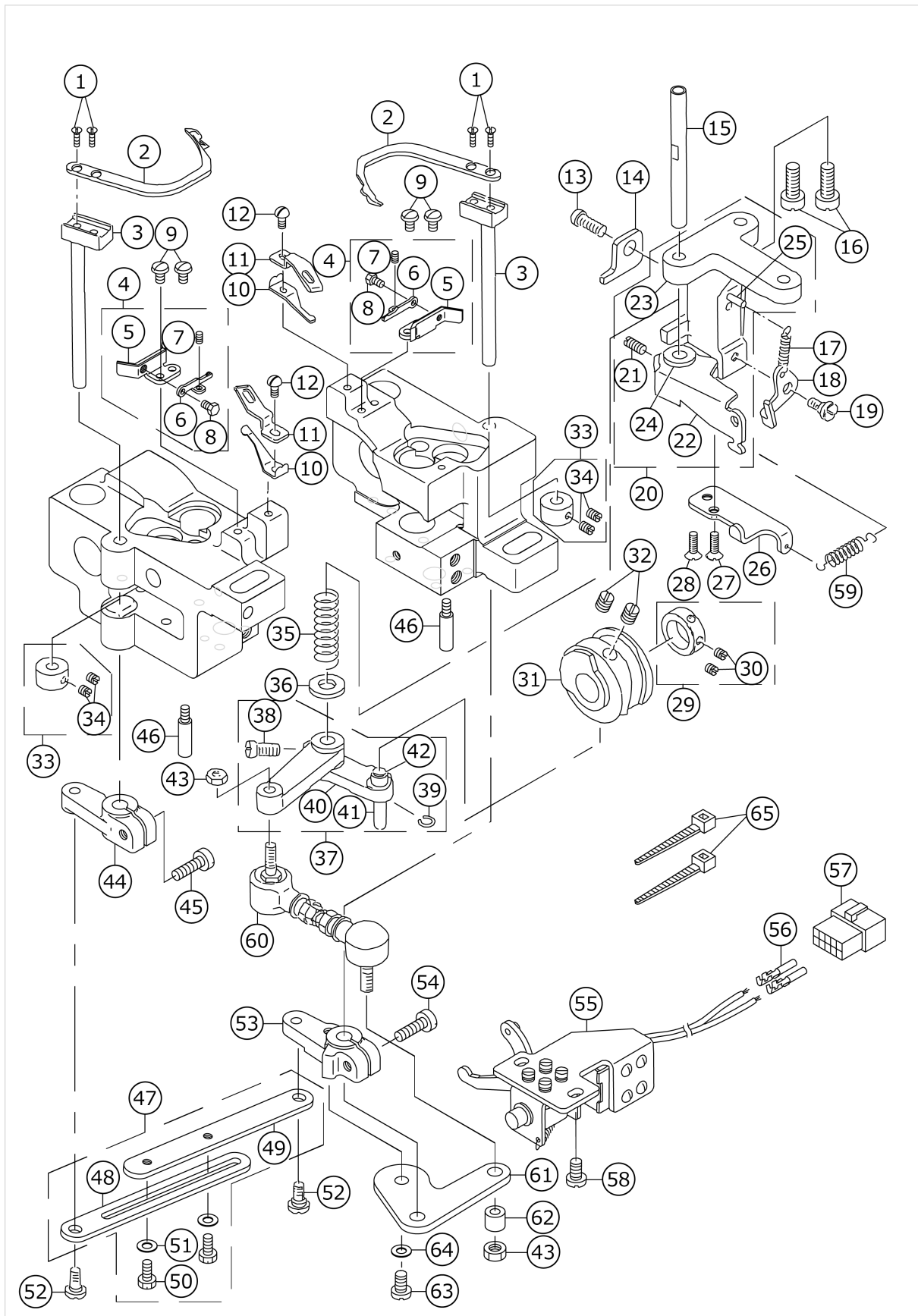
49	22904155	MAIN SHAFT THRUST COLLAR ASM.				2.00
50	B1653470000	PIN				1.00
51	CQ252000000	OIL WICK				0.26
52	SS7110910SP	SCREW 11/64-40 L=8.5				4.00
53	10315505	PLATE				2.00
54	22609606	FEED DRIVING ROCKER BLOCK, S				2.00
55	22609309	FEED ROCKER SHAFT CRANK				1.00
56	NS6680320SP	NUT 9/32-28				1.00
57	SS6121610TP	SCREW 3/16-28 L=15.5				1.00
58	SD0900701TP	HINGE SCREW D= 9 H= 7				1.00
59	10315208	FEED ROCK CONNECTING ROD				1.00
60	10315455	FEED DRIVING ROCKER ASM.				1.00
61	SS7110510SP	SCREW 11/64-40 L=5				1.00
62	B1633470000	STOPPER PLATE				1.00
63	22610505	REVERSE FEED CONTROL LEVER	FOR LH-3182-4			1.00

PRESSER BAR & TENSION RELEASE COMPONENTS



No.	品番	品名	備考	子部品	消耗品	個数
1	11071800	HAND LIFTER				1.00
2	B1521555000	SCREW				1.00
3	RO037180100	RUBBER RING				1.00
4	22908552	HAND LIFTER CAM ASM.				1.00
5	22608152	LIFTING LEVER ROD ASM.				1.00
6	11006350	HAND LIFTER LINK		*		1.00
7	11006202	LIFTING LEVER		*		1.00
8	11007309	E-RING		*		1.00
9	RE0500000K0	E-RING		*		1.00
10	22608103	LIFTING LEVER CONNECTING ROD		*		1.00
11	11006509	LINK SHAFT				2.00
12	RE0500000K0	E-RING				2.00
13	11007101	HINGE SCREW				1.00
14	SD0720332SP	HINGE SCREW D= 7.24 H= 3.3				1.00
15	22908800	KNEE LIFTER LINK				1.00
16	10125201	CONNECTING ROD, VERTICAL				1.00
17	SD0600322SD	HINGE SCREW D=6 H=3.2				1.00
18	RE0500000K0	E-RING				2.00
19	11018207	TENSION RELEASE RETURN SPRING				1.00
20	11018108	TENSION RELEASE SHAFT				1.00
21	SS4110515SP	SCREW 11/64-40 L=5				1.00
22	22654958	TENSION RELEASE PLATE ASM.				1.00
23	22617104	TENSION RELEASE PLATE		*		1.00
24	11394509	WIRE CABLE		*		1.00
25	22654909	WIRE TUBE		*		1.00
26	D3159555B00	SET SCREW		*		1.00
27	NS6620310SP	NUT 3/16-32				2.00
28	D3164555B00	OUTER PRESSER PLATE				2.00
29	SS4110715SP	SCREW 11/64-40 L=7				1.00
30	D3163555B00A	FLEXIBLE TUBE SUPPORT PLATE				1.00
31	SS4111215SP	SCREW 11/64-40 L=12				2.00
32	22620801	PIPE HOLDER				1.00
33	SS4111015SP	SCREW 11/64-40 L=10				1.00
34	22617005	PUSH BAR				1.00
35	PS0600502KP	SPRING PIN				1.00
36	11071602	PRESSER SPRING REGULATOR				1.00
37	11071701	NUT				1.00
38	22907703	PRESSER GUIDE BAR				1.00
39	B1505227T00A	PRESSER SPRING T				1.00
40	B1501581000	PRESSER BAR				1.00
41	22608004	NEEDLE BAR GUIDE BRACKET				1.00
42	SS8660810TP	SCREW 1/4-40 L=8				1.00
43	22907109	PRESSER BAR BUSHING, LOWER				1.00
44	22816755	PRESSER FOOT ASM. 1/4	EXCHANGING GAUGE PART(SEE P. 33)			1.00
45	SS7090910TP	SCREW 9/64-40 L= 8.5				1.00

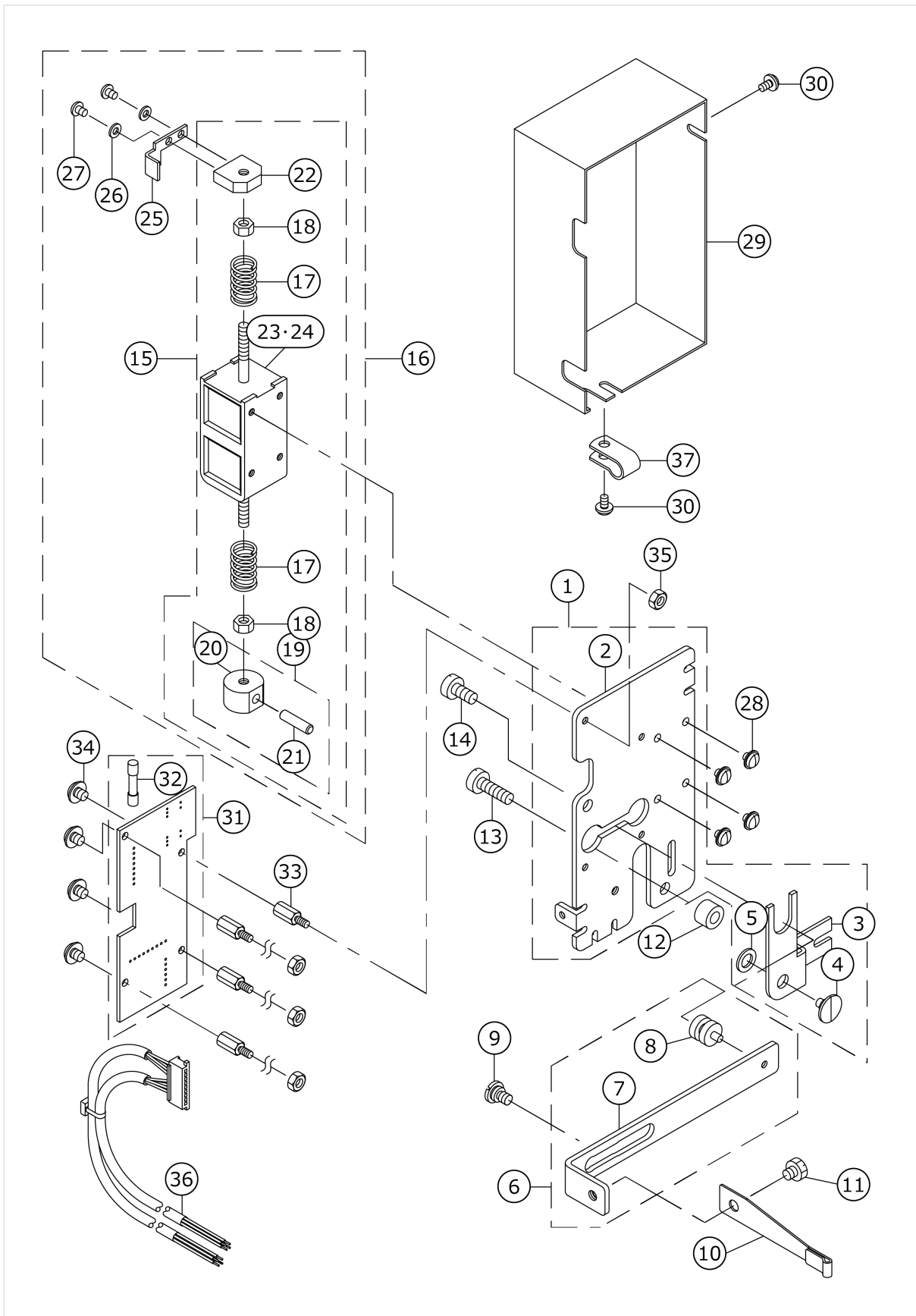
THREAD TRIMMER MECHANISM COMPONENTS



No.	品番	品名	備考	子部品	消耗品	個数
1	SS2080810SP	SCREW 1/8-44 L=7.5				4.00
2	10211605	MOVING KNIFE				2.00
3	10116051	MOVING KNIFE SHAFT ASM.				2.00
4	22820153	MOVING KNIFE SUPPORT ASM. B				2.00
5	22820104	MOVING KNIFE SUPPORT B		*		2.00
6	10211407	THREAD PRESSER ADJUSTING PLATE		*		2.00
7	SS8080610SP	SCREW 1/8-44 L=5.5		*		2.00
8	SS9080410SP	SCREW 1/8-44 L=4.3		*		2.00
9	SS5090610SP	SCREW 9/64-40 L=6				4.00
10	22820203	THREAD PRESSER G				2.00
11	22820302	COUNTER KNIFE G				2.00
12	SS7090710SP	SCREW 9/64-40 L= 6.8				2.00
13	SS6121212TP	SCREW 3/16-28 L=12.0				1.00
14	22654800	STOPPER, A				1.00
15	10116804	SHAFT				1.00
16	SS7151610SP	SCREW 15/64-28 L=16				2.00
17	B3418180000	SPRING				1.00
18	10117208	TENSION DISC RELEASE PLATE				1.00
19	SD0600271SP	HINGE SCREW D= 6 H= 2.7				1.00
20	22655153	LINK INSTALLING BASE ASM.				1.00
21	SS8111010TP	SCREW 11/64-40 L=9.5		*		1.00
22	22655104	TENSION DISC RELEASE ARM		*		1.00
23	10116606	LINK INSTALLING BASE		*		1.00
24	10117109	BUSHING		*		1.00
25	PS0300201KP	SPRING PIN 3.0X20		*		1.00
26	22654701	STOPPER PLATE				1.00
27	SS2110920TP	SCREW 11/64-40 L=8.5				1.00
28	SS2110930SP	SCREW 11/64-40 L=8.7				1.00
29	CS1470710SH	THRUST COLLAR ASM. D=14.72 W=7				1.00
30	SS8110410TP	SCREW 11/64-40 L= 3.5		*		2.00
31	22654107	THREAD TRIMMER CAM				1.00
32	SS8660810TP	SCREW 1/4-40 L=8				2.00
33	CS0700811SH	THRUST COLLAR D=7 W=8				2.00
34	SS8110510SP	SCREW 11/64-40 L=5		*		4.00
35	10116903	SPRING				1.00
36	WP0753016SZ	WASHER 7.5X16.0X3.0				1.00
37	10116754	CAM INSTALLING LINK ASM.				1.00
38	SS6151220SP	SCREW 15/64-28 L=11.5		*		1.00
39	D2430555B00	SNAP RING		*		1.00
40	10116705	CAM INSTALLING LINK		*		1.00
41	D2428555B00A	CAM ROLLER SHAFT		*		1.00
42	D2427555B00B	CAM ROLLER		*		1.00
43	NM6050001SP	NUT M5				2.00
44	22654404	DRIVING ARM, LEFT				1.00
45	SS6121610TP	SCREW 3/16-28 L=15.5				1.00
46	B1515051000	HAND LIFTER PIN				2.00
47	22654552	CONNECTING LINK ASM.				1.00
48	22654503	CONNECTING LINK, A		*		1.00
49	22654602	CONNECTING LINK, B		*		1.00
50	SS9111010SP	SCREW 11/64-40 L=9.5		*		2.00

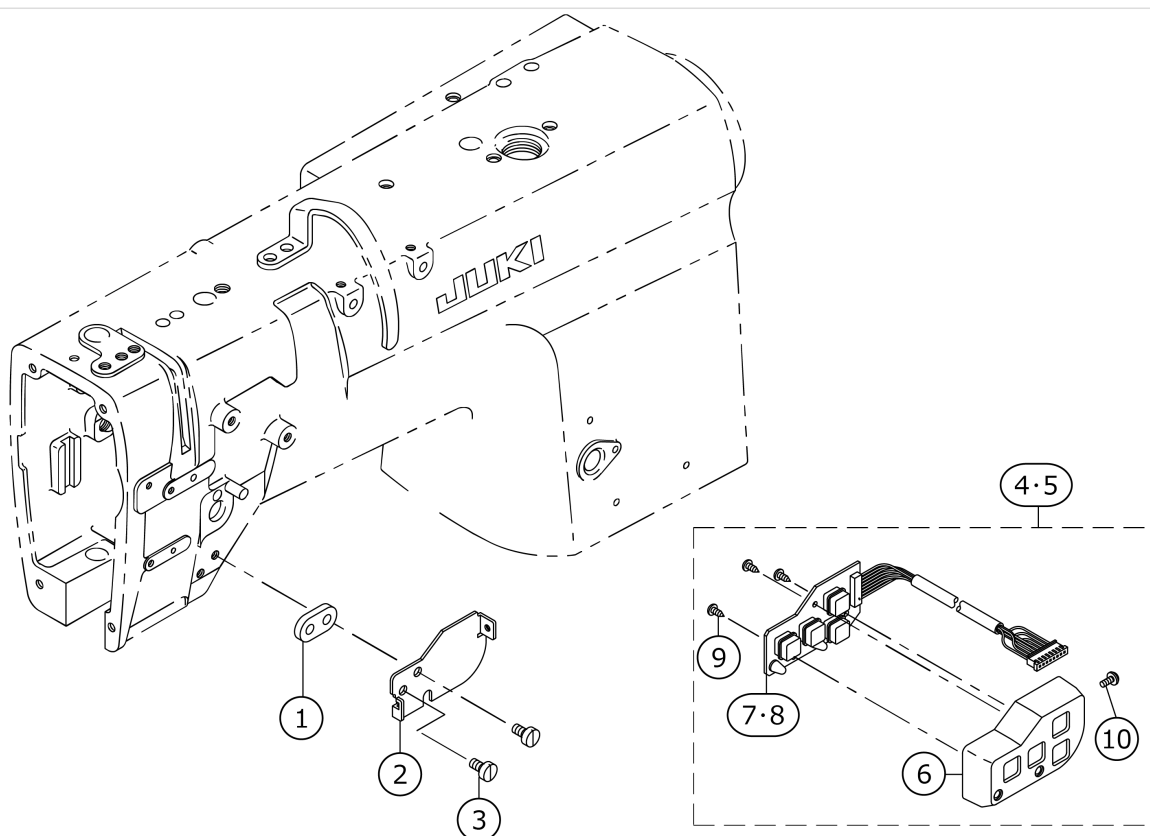
51	WP0501016SD	WASHER 5X10.5X1		*		2.00
52	SD0650305TP	HINGE SCREW D= 6.5 H= 3				2.00
53	22654305	DRIVING ARM, RIGHT				1.00
54	SS6121610TP	SCREW 3/16-28 L=15.5				1.00
55	10117851	SOLENOID ASM.				1.00
56	HK03464000B	PIN CONTACT	FOR LH-3182-7			2.00
57	HK034610140	HOUSING 14P	FOR LH-3182-7			1.00
58	SS6151040SP	SCREW 15/64-28 L=10				2.00
59	B3041980000	SPRING				1.00
60	22655005	JOINT ROD				1.00
61	22654008	DRIVING ARM PLATE				1.00
62	B3417051000	REAR LIFTING BAR ROLLER				1.00
63	SS6120940SP	SCREW 3/16-28 L=9				1.00
64	WP0501016SD	WASHER 5X10.5X1				1.00
65	EA9500B0100	CABLE BAND				2.00

AUTOMATIC CHANGE-OVER DEVICE COMPONENTS (1)



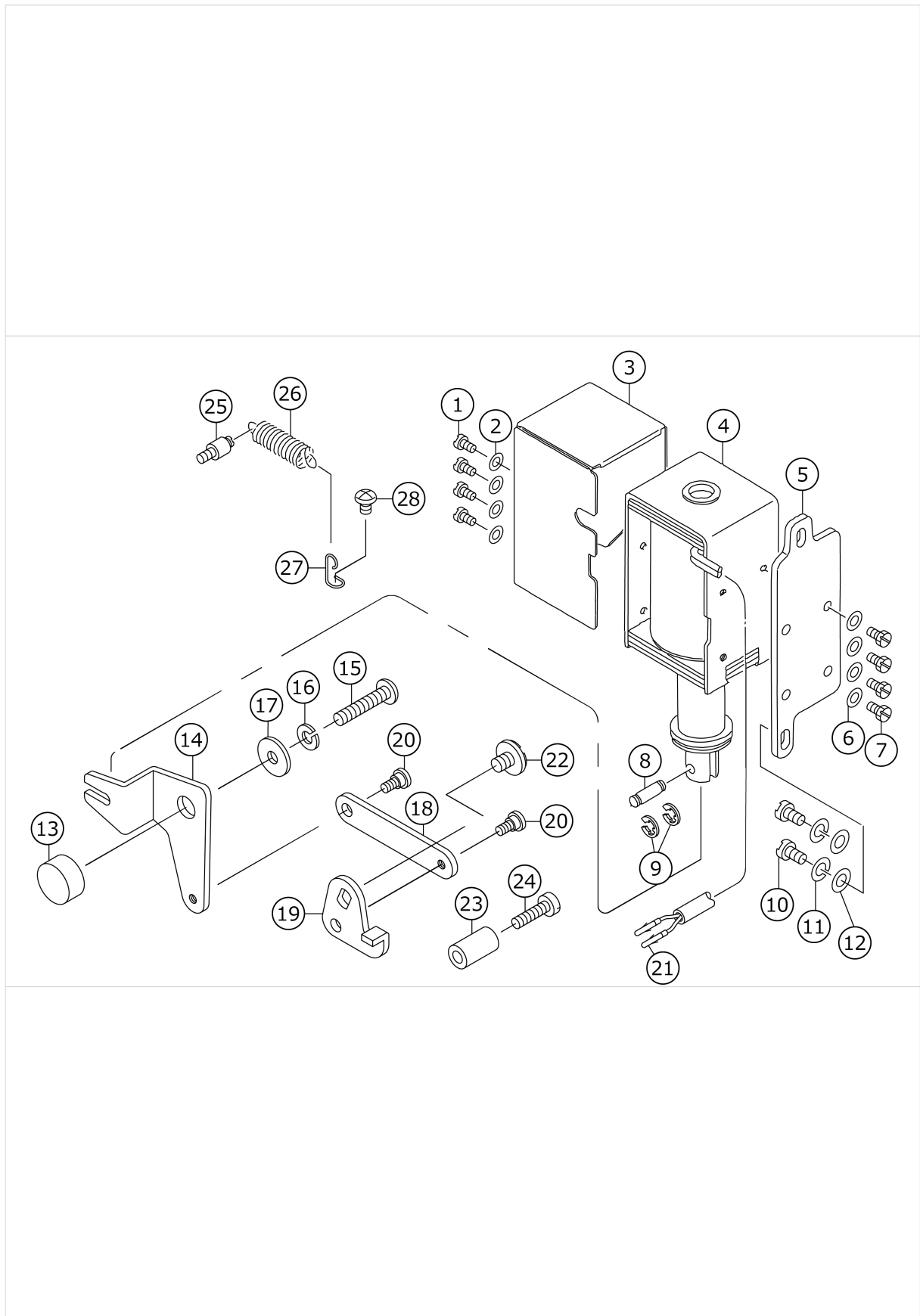
No.	品番	品名	備考	子部品	消耗品	個数
1	22795157	TRANSFORM SOLENOID BASE ASM.				1.00
2	22795108	TRANSFORM SOLENOID BASE		*		1.00
3	22795207	TRANSFORM ARM		*		1.00
4	SD0600281TP	HINGE SCREW H=6 W=2.7		*		1.00
5	WP0621016SD	WASHER 6.2X13X1		*		1.00
6	22795355	TRANSFORM PLATE ASM.				1.00
7	22795306	TRANSFORM PLATE		*		1.00
8	22795405	TRANSFORM SHAFT A		*		1.00
9	SD0640231SP	HINGE SCREW D= 6.35 H= 2.3				1.00
10	22687008	LEAF SPRING				1.00
11	SS9110460CP	SCREW 11/64-40 L=4				1.00
12	22795900	TRANSFORM SOLENOID BASE				1.00
13	SS6121010SP	SCREW 3/16-28 L=10				1.00
14	SS6121610SP	SCREW 3/16-28 L=15.5				1.00
15	22796551	TRANSFORM SOLENOID UNIT B ASM.	FOR LH-3182-7			1.00
16	22790356	TRANSFORM SOLENOID UNIT A ASM.	FOR LH-3182-4			1.00
17	22795603	TRANSFORM SPRING B		*		2.00
18	NM6040001SD	NUT M4		*		2.00
19	22795553	TRANSFORM SPRING BASE A ASM.		*		1.00
20	22795504	TRANSFORM SPRING BASE A		*		1.00
21	B1505804000	HINGE SHAFT		*		1.00
22	22795702	TRANSFORM SPRING BASE B		*		1.00
23	22792956	TRANSFORM RACH SOLENOID A ASM.	FOR LH-3182-4	*		1.00
24	22797757	TRANSFORM RACH SOLENOID B ASM.	FOR LH-3182-7	*		1.00
25	22790000	CROSSWISE SENSOR PLATE	FOR LH-3182-4	*		1.00
26	WS0310002KN	SPRING WASHER M3	FOR LH-3182-4	*		2.00
27	SM4030401SC	SCREW M3X0.5 L=4	FOR LH-3182-4	*		2.00
28	SL4030681SC	SCREW M3 L=6				4.00
29	22795801	TRANSFORM COVER				1.00
30	SL4031091SC	SCREW M3 X 10				2.00
31	22792550	CHANGING CIRCUIT BOARD ASM.	FOR LH-3182-4			1.00
32	HF0041010S0	FUSE	FOR LH-3182-4	*		1.00
33	HX00056000B	SPACER	FOR LH-3182-4			4.00
34	SL4030681SC	SCREW M3 L=6	FOR LH-3182-4			4.00
35	NM6030001SC	NUT M3	FOR LH-3182-4			4.00
36	22792659	TRANSFORM DEVISE CORD ASM.	FOR LH-3182-4			1.00
37	D2120555C00	CORD PRESSER (120V)	FOR LH-3182-7			1.00

AUTOMATIC CHANGE-OVER DEVICE COMPONENTS (2)



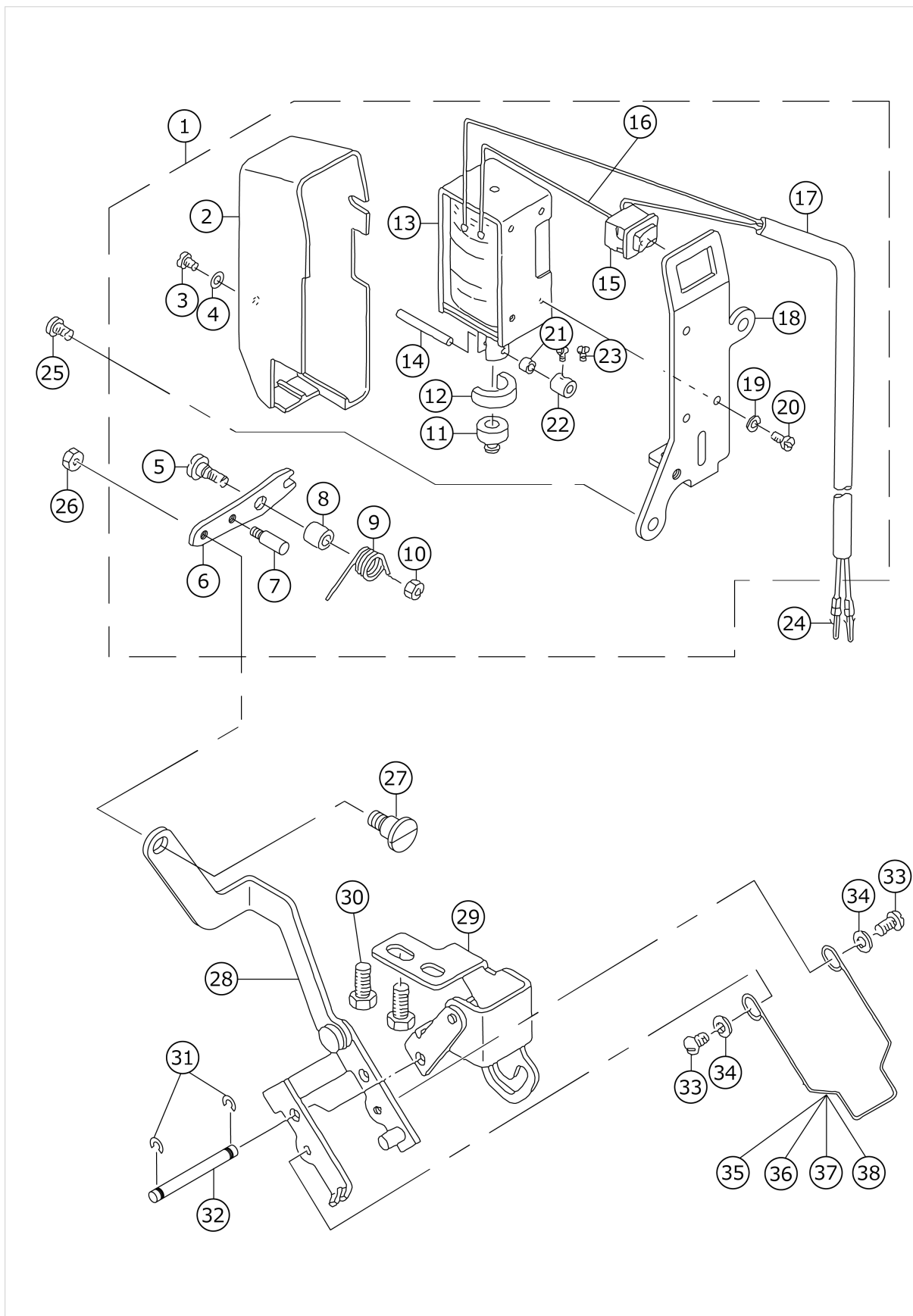
No.	品番	品名	備考	子部品	消耗品	個数
1	22796908	CASE				1.00
2	22796809	CASE FITTING PLATE				1.00
3	SS6120940SP	SCREW 3/16-28 L=9				2.00
4	22790455	OPERATION SWITCH CASE A ASM.	LH-3182-4			1.00
5	22796759	OPERATION SWITCH CASE B ASM.	LH-3182-7			1.00
6	22796700	OPERATION SWITCH CASE		*		1.00
7	22792758	OPERATION SWITCH PCB A ASM.	LH-3182-4	*		1.00
8	22797559	OPERATION SWITCH PCB B ASM.	LH-3182-7	*		1.00
9	ST4030851SN	SCREW		*		3.00
10	SL4030681SF	SCREW M3 L=6		*		1.00

AUTOMATIC REVERSE FEED MECHANISM COMPONENTS



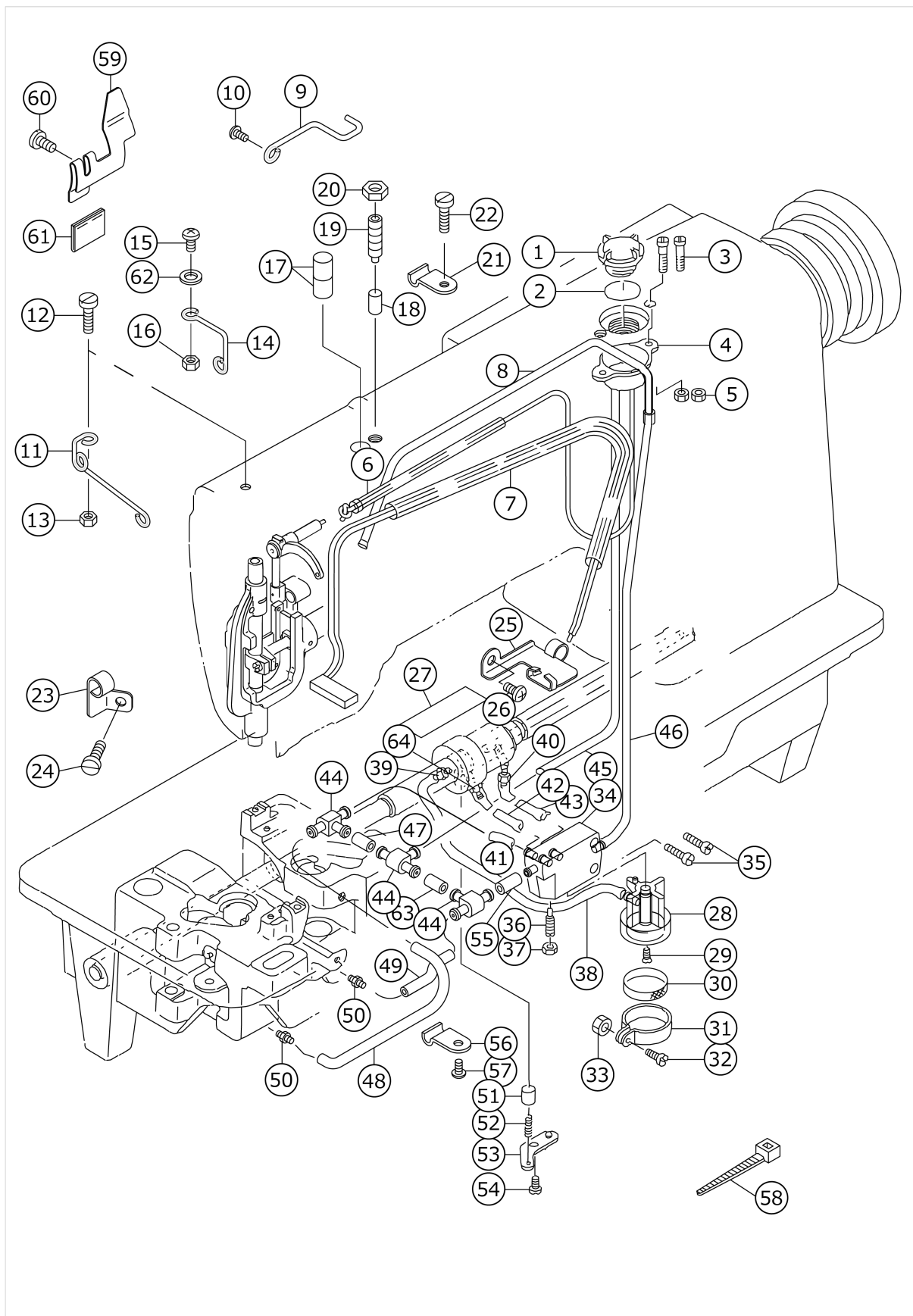
No.	品番	品名	備考	子部品	消耗品	個数
1	SS7110710SP	SCREW 11/64-40 L=7				4.00
2	WP0501016SD	WASHER 5X10.5X1				4.00
3	10161305	SOLENOID COVER				1.00
4	10119105	REVERSE FEED SOLENOID, AC24V				1.00
5	10119204	SOLENOID INSTALLING PLATE				1.00
6	WP0501016SD	WASHER 5X10.5X1				4.00
7	SS9111010SP	SCREW 11/64-40 L=9.5				4.00
8	D2464555B00	LINK DRIVING MAGNET PIN				1.00
9	RE0400000K0	E-RING 4				1.00
10	SS7151210SP	SCREW 15/64-28 L=12				2.00
11	WS0631510KP	SPRING WASHER				2.00
12	WP0621016SD	WASHER 6.2X13X1				2.00
13	22656409	LINK FULCULUM				1.00
14	22656300	REVERSE FEED LINK, L				1.00
15	SS4153015SP	PAN-SCREW 15/64-28 L=30				1.00
16	WS0610002KP	SPRING WASHER				1.00
17	WP0612056SD	WASHER 6.1X18.5X2				1.00
18	22656201	REVERSE FEED LINK, (2)				1.00
19	22656102	REVERSE FEED LINK, (1)				1.00
20	SD0640321SP	HINGE SCREW D= 6.35 H= 3.2				2.00
21	HK03464000B	PIN CONTACT	FOR LH-3182-7			2.00
22	SS7120760SP	SCREW 3/16-28 L= 7.0	FOR -WB,-0B			1.00
23	11100500	REVERSE FEED LEVER STOPPER	FOR -WB,-0B			1.00
24	SS6121840SP	SCREW 3/16-28 L=18	FOR -WB,-0B			1.00
25	B1506352000	TENSION SPRING RACK B				1.00
26	13515606	SPRING				1.00
27	22656003	SPRING SUSPENSION				1.00
28	SS4120615SP	SCREW 3/16-28 L=6				1.00

WIPER MECHANISM COMPONENTS



No.	品番	品名	備考	子部品	消耗品	個数
1	22657159	WIPER SOLENOID ASM.				1.00
2	11072709	WIPER COVER		*		1.00
3	SM4030601SN	SCREW M3 X 6		*		1.00
4	WP0320501SC	WASHER M3		*		1.00
5	SD0650321TP	HINGE SCREW D=6.5 H=3.2		*		1.00
6	22657209	WIPER LINK, A		*		1.00
7	B2024771000	SUSPENSION SCREW		*		1.00
8	11110707	WIPER HINGE SCREW COLLAR		*		1.00
9	22657308	WIPER SPRING		*		1.00
10	NS6110310SP	NUT 11/64-40		*		1.00
11	11110400	WIPER RUBBER A		*		1.00
12	11110509	WIPER RUBBER B		*		1.00
13	11110301	WIPER SOLENOID		*		1.00
14	11111705	WIPER SOLENOID PIN		*		1.00
15	HA000590000	POWER SWITCH		*		1.00
16	HW200390000	ELECTRIC WIRE		*		0.04
17	HW500070000	2-CORE CABTYRE CORD		*		1.40
18	22657100	WIPER SOLENOID BASE		*		1.00
19	WS0310002KN	SPRING WASHER M3		*		3.00
20	SM4030601SN	SCREW M3 X 6		*		3.00
21	11111804	WIPER LINK COLLAR		*		1.00
22	CS0300711SP	THRUST COLLAR		*		1.00
23	SS6080320SP	SCREW 1/8-44 L= 2.5		*		2.00
24	HK03464000B	PIN CONTACT	FOR LH-3182-7			2.00
25	SS4120615SP	SCREW 3/16-28 L=6				2.00
26	NS6090310SP	NUT 9/64-40				1.00
27	SD0500301SP	HINGE SCREW D= 5 H= 3				1.00
28	22657050	WIPER LINK ASM., 2				1.00
29	10208551	WIPER BASE ASM.				1.00
30	SS9111010SP	SCREW 11/64-40 L=9.5				2.00
31	RE0320000K0	E-RING 3.2				2.00
32	10208700	WIPER LINK SHAFT				1.00
33	SS3090520SP	SCREW 9/64-40 L=4.5				2.00
34	WP0371016SD	WASHER 3.7X8X1				2.00
35	10209203	WIPER 3/32-3/8	SELECTIVE PART			1.00
36	10209500	WIPER	SELECTIVE PART			1.00
37	10209807	WIPER	SELECTIVE PART			1.00
38	10209906	WIPER	SELECTIVE PART			1.00

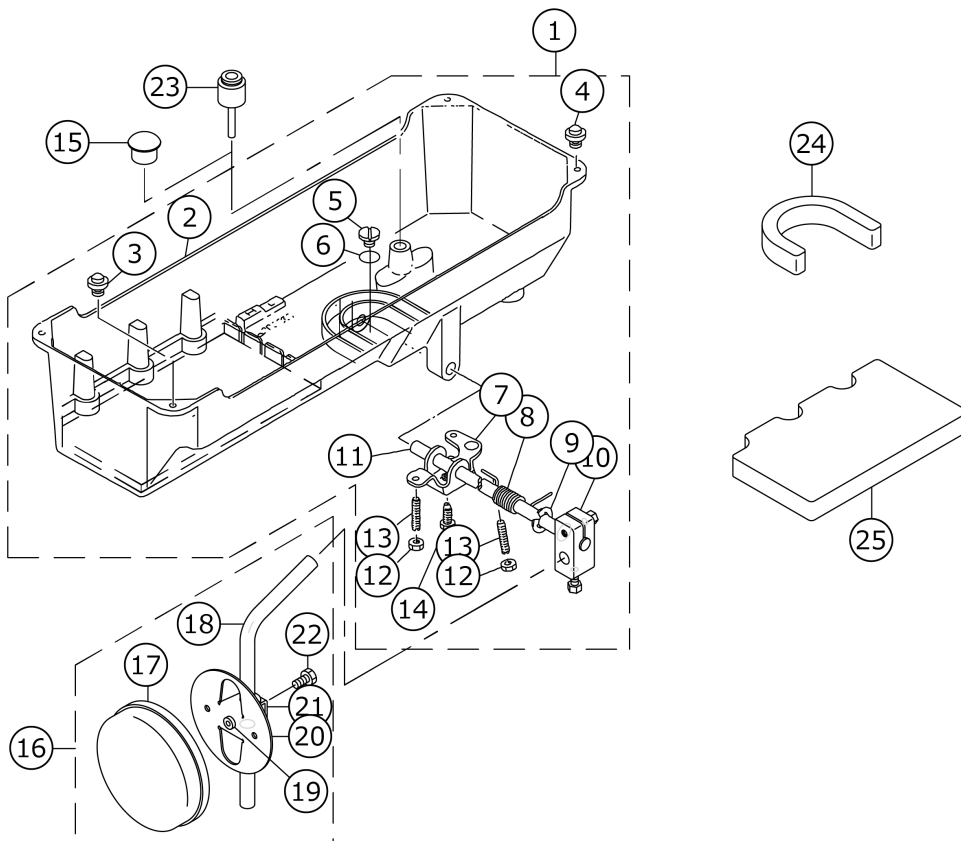
LUBRICATION COMPONENTS



No.	品番	品名	備考	子部品	消耗品	個数
1	B3530555000	OIL SIGHT WINDOW				1.00
2	RO195240100	RUBBER RING				1.00
3	SS4111815SP	SCREW 11/64 L=18				2.00
4	10216703	OIL TANK				1.00
5	NS6110310SN	NUT 11/64-40				2.00
6	22620355	OIL PIPE ASM.				1.00
7	22620454	FELT ASM.				1.00
8	22620702	OIL TUBE				1.00
9	22620108	PIPE HOLDER, B				1.00
10	SS4110715SP	SCREW 11/64-40 L=7				1.00
11	22619209	OIL WICK GUIDE				1.00
12	SS6121610SP	SCREW 3/16-28 L=15.5				1.00
13	NS6120310SP	NUT 3/16-28				1.00
14	22620504	OIL WICK HOLDER				1.00
15	SS4111215SP	SCREW 11/64-40 L=12				1.00
16	NS6110420SP	NUT 11/64-40				1.00
17	B3517009000	OIL FELT REAR				2.00
18	22619415	OIL ADJUSTING SHAFT				1.00
19	SS8701782TP	SCREW 5/16-24 L=17.0				1.00
20	NS6700420SP	NUT 5/16-24				1.00
21	22620801	PIPE HOLDER				1.00
22	SS6111610SP	SCREW 11/64-40 L=16				1.00
23	22619902	PIPE HOLDER				1.00
24	SS4110615SP	SCREW 11/64-40 L=6				1.00
25	22619803	VILENE HOLDER				1.00
26	SS4110715SP	SCREW 11/64-40 L=7				1.00
27	22619605	VILENE				1.00
28	22619001	SUCTION				1.00
29	SS2110930SP	SCREW 11/64-40 L=8.7				1.00
30	B1851512000	FILTER SCREEN				1.00
31	B1850512000	BUSHING HOLDER				1.00
32	SS7090910SP	SCREW 9/64-40 L= 8.5				1.00
33	NS6090310SP	NUT 9/64-40				1.00
34	10623403	BASE				1.00
35	SS6111610SP	SCREW 11/64-40 L=16				2.00
36	B1834512000A	OIL ADJUSTING SCREW				1.00
37	NS6110310SP	NUT 11/64-40				1.00
38	23630007	TUBE				0.12
39	SQ1150451MZ	CONNECTING SCREW				1.00
40	SQ1110401MZ	CONNECTING SCREW				1.00
41	23630007	TUBE				0.05
42	23630007	TUBE				0.08
43	23630007	TUBE				0.09
44	13765607	OIL CONNec. ARM				3.00
45	23630007	TUBE				0.51
46	23630007	TUBE				0.40
47	23630007	TUBE				0.02
48	23630007	TUBE				0.21
49	23630007	TUBE				0.15
50	SQ1110401MZ	CONNECTING SCREW				2.00

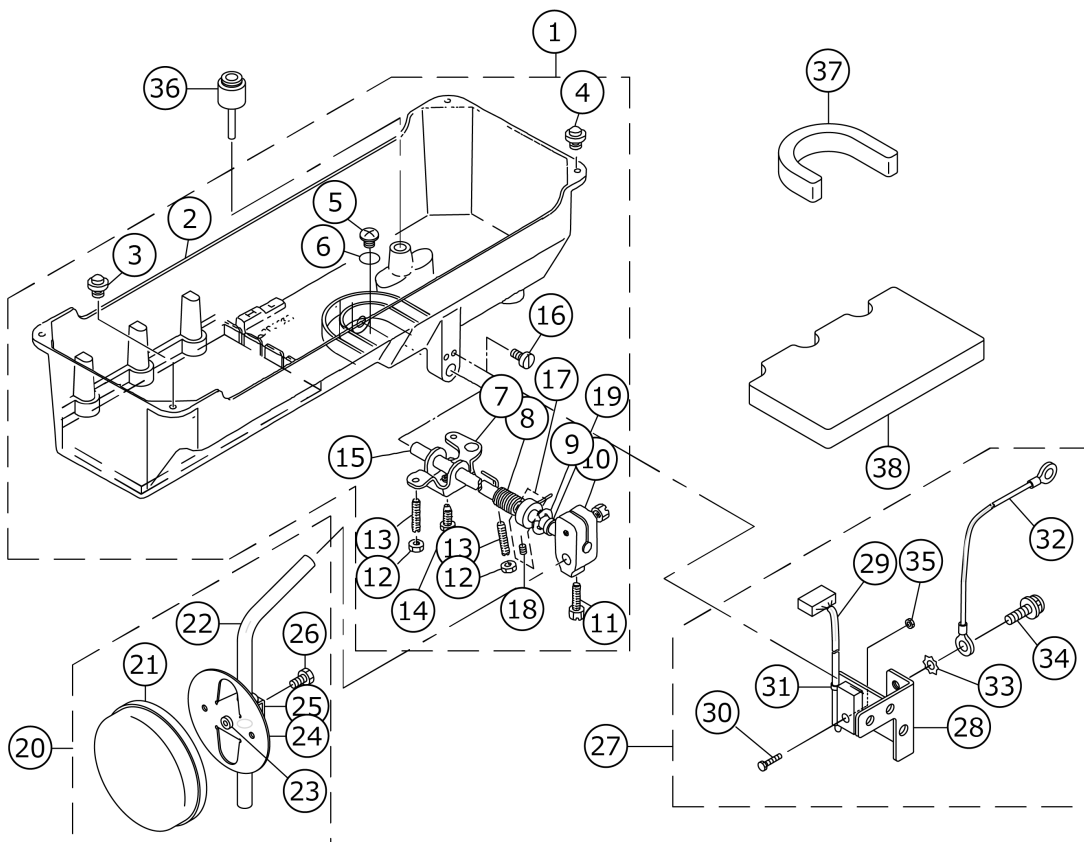
51	B3534155000	PLUNGER				1.00
52	B1214038000	PLUNGER SPRING				1.00
53	B3524552000	PLUNGER THRUST PLATE				1.00
54	SS4110815SP	SCREW 11/64-40 L=8				1.00
55	23630007	TUBE				0.02
56	B3538112000	OIL RETURN TUBE HOLDER				1.00
57	SS4110815SP	SCREW 11/64-40 L=8				1.00
58	EA9500B0100	CABLE BAND				1.00
59	22686307	OIL GUIDE				1.00
60	SS7090610SP	SCREW 9/64-40 L=6				1.00
61	22686455	NEEDLE BAR				1.00
62	B3534012000	GASKET				1.00
63	23630007	TUBE				0.02
64	22619704	OILING JOINT				1.00

OIL RESERVOIR & KNEE LIFTER COMPONENTS (WITH AK DEVICE)



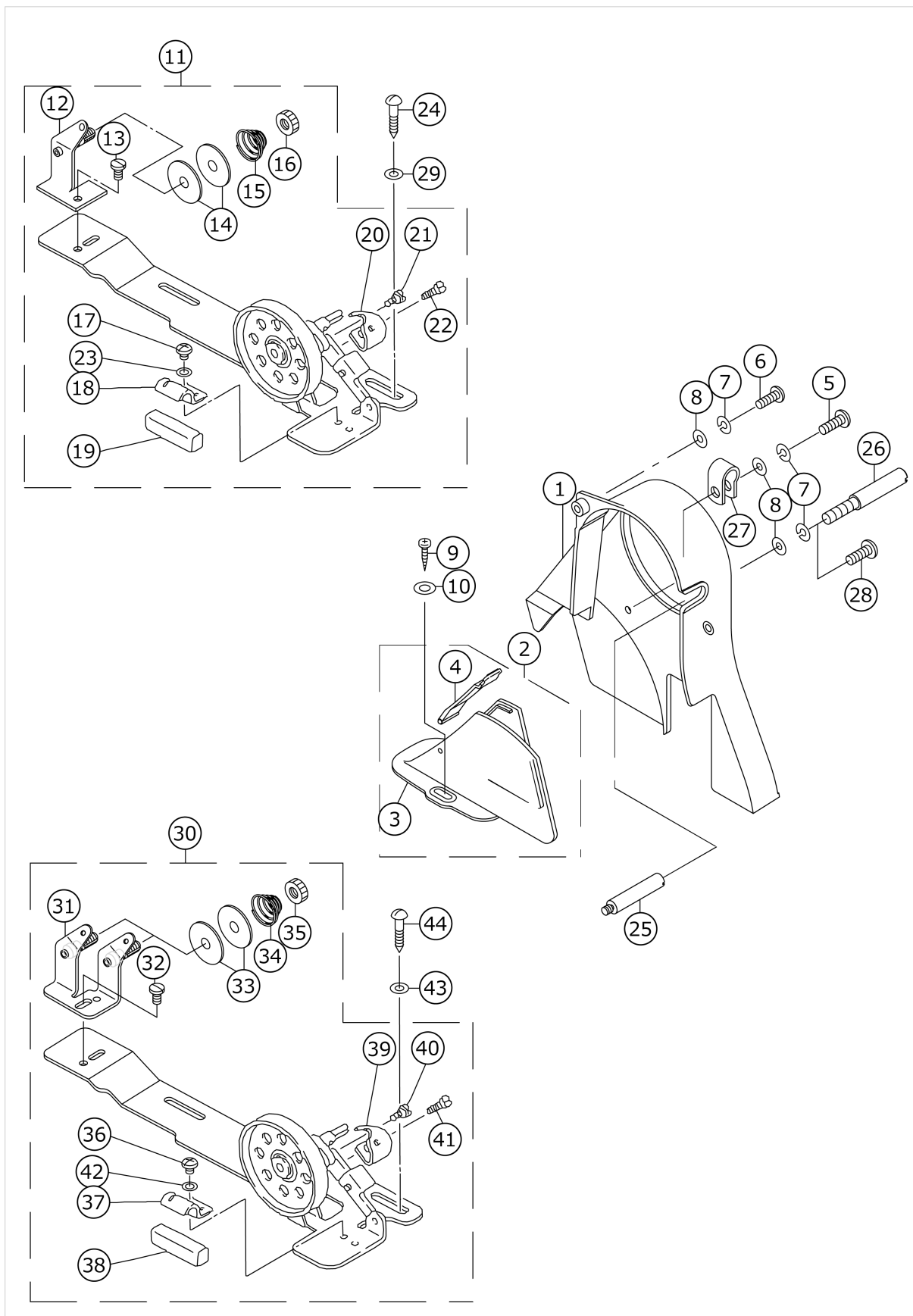
No.	品番	品名	備考	子部品	消耗品	個数
1	10162253	OIL RESERVOIR ASM.				1.00
2	10162204	OIL RESERVOIR		*		1.00
3	10162600	RUBBER CUSHION		*		2.00
4	11047107	RUBBER CUSHION		*		2.00
5	SM0081001SD	SCREW		*		1.00
6	RO098240100	RUBBER RING		*		1.00
7	11024015	CONNECTING ROT, VERTICAL		*		1.00
8	11024106	SPRING		*		1.00
9	RE1000000K0	E-RING 10		*		1.00
10	22932453	BRACKET ASM.		*		1.00
11	11024205	KNEE PRESS ROD		*		1.00
12	NM6060001SE	NUT M6		*		2.00
13	SM8063012TR	SCREW M6 L=30		*		2.00
14	SM9061853SR	SCREW M6 L=17.5		*		1.00
15	GAK33070000	OIL DRAIN CAP				1.00
16	22934251	KNEE PAD PLATE ASM.	FOR THE DESTINATION			1.00
17	22934509	KNEE PAD PLATE COVER		*		1.00
18	22934608	KNEE PAD UPRIGHT SHAFT		*		1.00
19	22934400	KNEE PAD PLATE RUBBER		*		1.00
20	22934202	KNEE PAD PLATE		*		1.00
21	22934301	KNEE PAD PLATE SUPPORT		*		1.00
22	SM9061203SE	SCREW M6 L=12		*		1.00
23	11024304	KNEE PRESS LIFTER ROD	FOR THE DESTINATION			1.00
24	22622005	OIL RESERVOIR SPACER, A				1.00
25	22622104	OIL RESERVOIR SPACER, B				1.00

OIL RESERVOIR & KNEE LIFTER COMPONENTS (WITHOUT AK DEVICE,-7 ONLY)



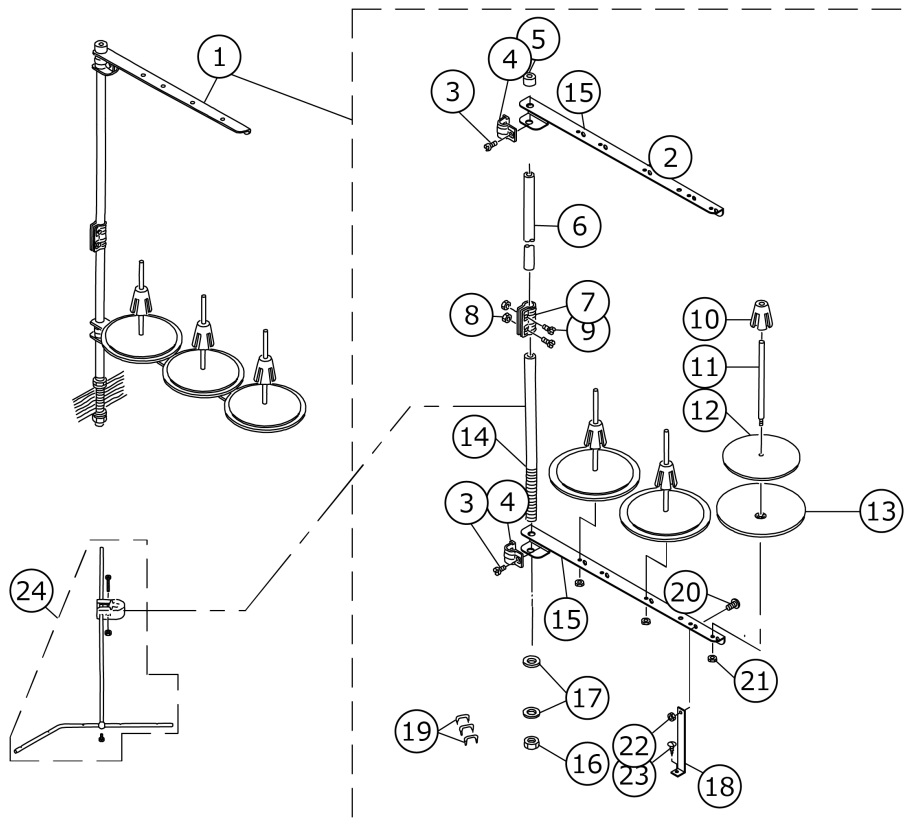
No.	品番	品名	備考	子部品	消耗品	個数
1	22796254	OIL RESERVOIR ASM.				1.00
2	22796205	OIL RESERVOIR		*		1.00
3	10162600	RUBBER CUSHION		*		2.00
4	11047107	RUBBER CUSHION		*		2.00
5	SM0081001SD	SCREW		*		1.00
6	RO098240100	RUBBER RING		*		1.00
7	11024015	CONNECTING ROT, VERTICAL		*		1.00
8	11024106	SPRING		*		1.00
9	RE1000000K0	E-RING 10		*		1.00
10	11024510	BRACKET		*		1.00
11	SM9062053SR	SCREW M6 L=20		*		2.00
12	NM6060001SE	NUT M6		*		2.00
13	SM8063012TR	SCREW M6 L=30		*		2.00
14	SM9061853SR	SCREW M6 L=17.5		*		1.00
15	11024205	KNEE PRESS ROD		*		1.00
16	SM6040800SP	SCREW		*		2.00
17	22798755	KNEE LIFTING RETRIEVAL BASE.		*		1.00
18	22798607	SENSING BASE WASHER		*		1.00
19	SM8060812TP	SCREW M6 L=8		*		1.00
20	22934251	KNEE PAD PLATE ASM.				1.00
21	22934509	KNEE PAD PLATE COVER		*		1.00
22	22934608	KNEE PAD UPRIGHT SHAFT		*		1.00
23	22934400	KNEE PAD PLATE RUBBER		*		1.00
24	22934202	KNEE PAD PLATE		*		1.00
25	22934301	KNEE PAD PLATE SUPPORT		*		1.00
26	SM9061203SE	SCREW M6 L=12		*		1.00
27	22796155	SENSOR PLATE ASM.				1.00
28	22796106	SENSOR PLATE		*		1.00
29	22798151	SENSOR ASM.		*		1.00
30	10621803	MOUNTING SCREW		*		1.00
31	EA9500B0000	CLIP CV-70S		*		1.00
32	22798359	GROUND WIRE ASM.		*		1.00
33	WT0430002KN	WASHER M4		*		1.00
34	SL4040891SC	SCREW M4 L=8		*		1.00
35	NM6020001SC	NUT M2		*		1.00
36	11024304	KNEE PRESS LIFTER ROD				1.00
37	22622005	OIL RESERVOIR SPACER, A				1.00
38	22622104	OIL RESERVOIR SPACER, B				1.00

BELT COVER & BOBBIN WINDER COMPONENTS



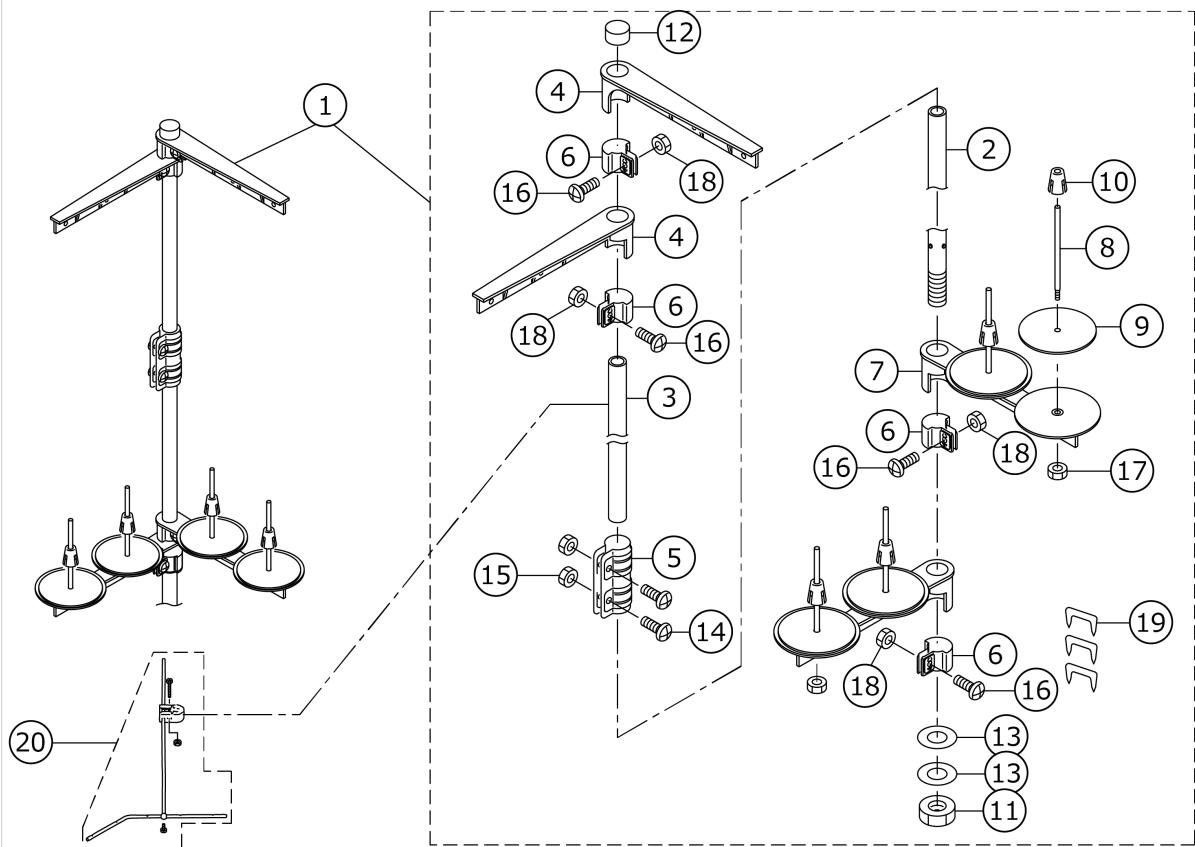
No.	品番	品名	備考	子部品	消耗品	個数
1	22603401	BELT COVER A ASM.				1.00
2	11076858	BELT COVER B ASM.				1.00
3	11076809	BELT COVER B		*		1.00
4	11076957	BELT COVER B CAP ASM.		*		1.00
5	SS4111215SP	SCREW 11/64-40 L=12				1.00
6	SS6121610SP	SCREW 3/16-28 L=15.5				1.00
7	WS0451040KP	SPRING WASHER 4.5X8.5X1				3.00
8	WP0501016SD	WASHER 5X10.5X1				3.00
9	SK3412000SC	WOOD SCREW D=4.1 L=20				2.00
10	WP0501016SC	WASHER 5X10.5X1				2.00
11	11077567	BOBBIN WINDER COMPL.				1.00
12	11078250	THREAD TENSION BRACKET ASM.		*		1.00
13	SS7110840SP	SCREW 11/64-40 L=7.8		*		1.00
14	B3126012000	THREAD TENSION DISK		*		2.00
15	B3129012B00	THREAD TENSION SPRING		*		1.00
16	B3125012000	THREAD TENSION NUT		*		1.00
17	SS4110515SP	SCREW 11/64-40 L=5		*		1.00
18	11078102	PRESSER PLATE		*		1.00
19	B3211555000	RUBBER BRAKE		*		1.00
20	11078003	POSITIONING FINGER		*		1.00
21	SD0490261SP	HINGE SCREW D=4.9 H=2.6		*		1.00
22	SS7081310SP	SCREW 1/8-44 L=12.5		*		1.00
23	WP0480856SP	WASHER 4.8X8.4X0.8		*		1.00
24	SK3482500SC	WOOD SCREW D=4.8 L=25				2.00
25	B8233555000	BELT COVER SUPPORT STUD				2.00
26	22790505	SENSOR SUPPORT SHAFT B				1.00
27	D2120555C00	CORD PRESSER (120V)				1.00
28	SS4111215SP	SCREW 11/64-40 L=12				1.00
29	WP0501016SC	WASHER 5X10.5X1				2.00
30	22837553	BOBBIN DEVICE	FOR JE			1.00
31	22621056	TENSION BAR BASE		*		1.00
32	SS7110840SP	SCREW 11/64-40 L=7.8		*		1.00
33	B3126012000	THREAD TENSION DISK		*		4.00
34	B3129012B00	THREAD TENSION SPRING		*		2.00
35	B3125012000	THREAD TENSION NUT		*		2.00
36	SS4110515SP	SCREW 11/64-40 L=5		*		1.00
37	11078102	PRESSER PLATE		*		1.00
38	B3211555000	RUBBER BRAKE		*		1.00
39	22837504	BOBBIN PRESSER		*		1.00
40	SD0490261SP	HINGE SCREW D=4.9 H=2.6		*		1.00
41	SS7081310SP	SCREW 1/8-44 L=12.5		*		1.00
42	WP0480856SP	WASHER 4.8X8.4X0.8		*		1.00
43	WP0501016SC	WASHER 5X10.5X1				2.00
44	SK3482500SC	WOOD SCREW D=4.8 L=25				2.00

THREAD STAND COMPONENTS (1)



No.	品番	品名	備考	子部品	消耗品	個数
1	D3301772TAB	THREAD STAND ASM.				1.00
2	B3319704L00	THREAD GUIDE		*		3.00
3	SM6061610SC	SCREW M6 L=16		*		2.00
4	B3318704L00A	THREAD GUIDE ARM JOINT		*		2.00
5	B3311704000	SPOOL REST ROD CAP		*		1.00
6	11185204	SPOOL REST ROD,UPPER		*		1.00
7	B3305704000A	SPOOL REST ROD JOINT		*		1.00
8	NM6050001SE	NUT M5		*		2.00
9	SM4051405SE	SCREW M5 L=14		*		2.00
10	11185501	SPOOL RETAINER		*		3.00
11	B3320704L00A	SPOOL PIN		*		3.00
12	B3311012000	SPOOL REST CUSHION		*		3.00
13	11966504	SPOOL REST		*		3.00
14	11185105	SPOOL REST ROD,LOWER		*		1.00
15	11969508	SPOOL REST ARM A		*		2.00
16	B3317704000	NUT		*		1.00
17	WP1612616SE	WASHER 16X30X2.6		*		2.00
18	B3321704L00	SPOOL REST ARM SUPPORT, A		*		1.00
19	MAO11532000	CORD STAPLE		*		3.00
20	SM4061201SE	SCREW M6 L=12		*		1.00
21	NM6050001SE	NUT M5		*		3.00
22	NM6060001SE	NUT M6		*		1.00
23	SK3382001SE	SCREW D=3.8 L=20		*		1.00
24	B33097040A0	THREAD GUIDE ARM ASM.	FOR TYPE, DESTINATION			1.00

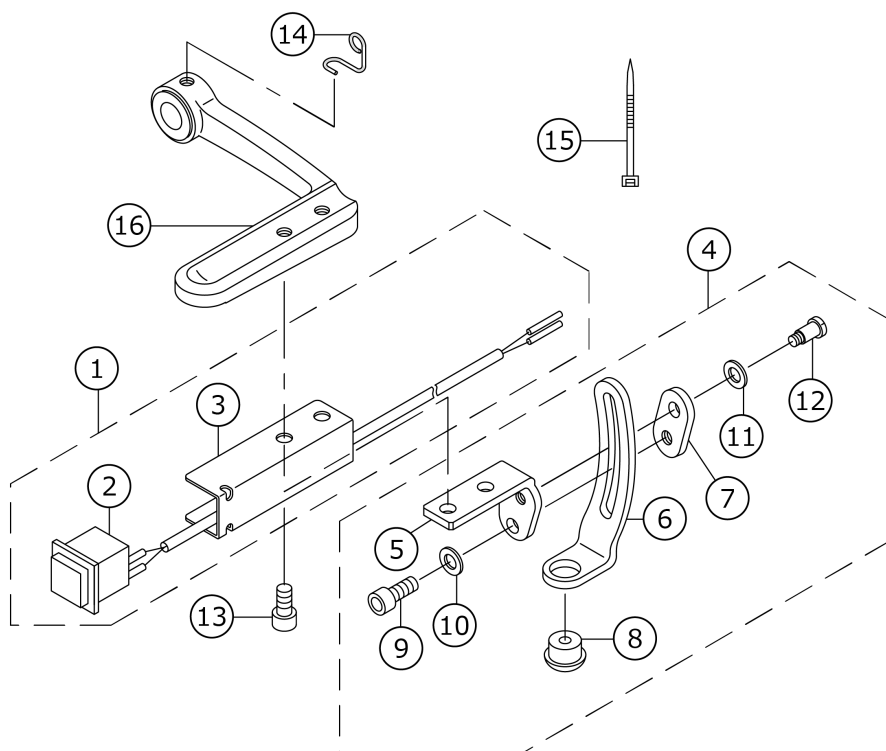
THREAD STAND COMPONENTS (2)



No.	品番	品名	備考	子部品	消耗品	個数
1	10162758	THREAD STANDING DEVICE ASM.	FOR JE			1.00
2	11185105	SPOOL REST ROD,LOWER		*		1.00
3	11185204	SPOOL REST ROD,UPPER		*		1.00
4	11185352	THREAD GUIDE ASM.		*		2.00
5	B3305704000A	SPOOL REST ROD JOINT		*		1.00
6	11185402	THREAD GUIDE ARM JOINT		*		4.00
7	11185006	SPOOL REST ARM		*		2.00
8	B3320704L00A	SPOOL PIN		*		4.00
9	B3311012000	SPOOL REST CUSHION		*		4.00
10	11185501	SPOOL RETAINER		*		4.00
11	B3317704000	NUT		*		1.00
12	B3311704000	SPOOL REST ROD CAP		*		1.00
13	WP1612616SE	WASHER 16X30X2.6		*		2.00
14	SM4051405SE	SCREW M5 L=14		*		2.00
15	NM6050001SE	NUT M5		*		2.00
16	SM4051405SE	SCREW M5 L=14		*		4.00
17	NM6050001SE	NUT M5		*		4.00
18	NM6050001SE	NUT M5		*		4.00
19	MAO11532000	CORD STAPLE		*		3.00
20	B33097040A0	THREAD GUIDE ARM ASM.	FOR TYPE, DESTINATION			1.00

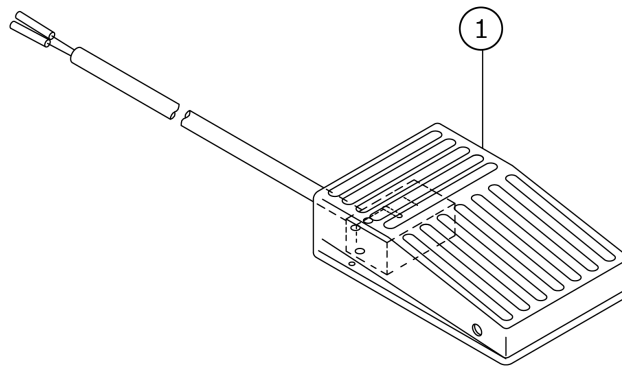
REVERSE FEED CONTROL LEVER COMPENSATION SWITCH SET (OPTION)

FOR LH-3182-7



No.	品番	品名	備考	子部品	消耗品	個数
1	22798458	COMPENSATION SWITCH ASM.				1.00
2	22798250	SWITCH ASM.		*		1.00
3	22797104	SWITCH FITTING PLATE		*		1.00
4	22797252	LEVER STOPPER ASM.				1.00
5	22797302	STOPPER FITTING PLATE		*		1.00
6	22797203	LEVER STOPPER		*		1.00
7	22797401	STOPPER FIXING PLATE		*		1.00
8	TA1100604R0	PLUG		*		1.00
9	SM6051002TP	SCREW M5X0.8 L=10		*		1.00
10	WP0520656SA	WASHER 5.2X9.5X0.6		*		1.00
11	WP0531000SE	WASHER		*		1.00
12	SD0500721SP	HINGE SCREW D= 5 H= 7.2		*		1.00
13	SM6051202TP	SCREW M5X0.8 L=12				2.00
14	22798508	SPRING SUSPENSION				1.00
15	EA9500B0100	CABLE BAND				2.00
16	22797005	REVERSE FEED CONTROL LEVER B				1.00

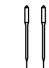





FOOT SWITCH ASM. (OPTION)







No.	品番	品名	備考	子部品	消耗品	個数
1	22798052	FOOT SWITCH ASM.				1.00

TABLE OF EXCHANGING GAUGE PARTS



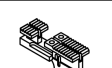


★ Standard spec. 標準仕様

Needle gauge size 針 幅		Throat plate (with Thread Trimmer) 針板(糸切付)		Feed dog (with Thread Trimmer) 送り歯(糸切付)		Needle clamp asm. Left 針 留(組)左		Needle clamp asm. Right 針 留(組)右		Presser Foot asm. 押 さ え(組)		
Code コード												
	inch	mm	Ref.No.	Part No.	Ref.No.	Part No.	Ref.No.	Part No.	Ref.No.	Part No.	Ref.No.	Part No.
B	1/8	3.2										
C	5/32	4.0										
D	3/16	4.8	①	226-60401	⑧	228-21201	⑮	B1402-528-DAL-A	⑳	B1402-528-DAR-A	㉔	228-16557
E	7/32	5.6	②	226-60500	⑨	228-21300	⑯	B1402-528-EAL	㉑	B1402-528-EAR-A	㉕	228-16656
F	1/4	6.4	③	226-60609	⑩	228-21409	⑰	B1402-528-FAL-A	㉒	B1402-528-FAR-A	㉖	228-16755
G	9/32	7.1	④	226-60708	⑪	228-21508	⑱	B1402-528-GAL	㉓	B1402-528-GAR	㉗	228-16854
H	5/16	7.9	⑤	226-60807	⑫	228-21607	⑲	B1402-528-HAL-A	㉔	B1402-528-HAR-A	㉘	228-16953
K	3/8	9.5	⑥	226-60906	⑬	228-21706	⑳	B1402-528-KAL-A	㉕	B1402-528-KAR-A	㉙	228-17050
L	1/2	12.7	⑦	226-61102	⑭	228-21805	㉑	B1402-528-LAL	㉖	B1402-528-LAR	㉚	228-17159
M	5/8	15.9										
N	3/4	19.1										
Q	1	25.4										
Stitch spec. 縫 仕 様	S A G	Spec.common 仕様共通				Spec.common 仕様共通						



Needle gauge size 針 幅		Bed Slide asm. (with Thread Trimmer) 滑り板(組) (糸切り付)				
Code コード		Bed Slide asm. (Left) 糸切り滑り板(左)組		Bed Slide asm. (Right) 糸切り滑り板(右)組		
	inch	mm	Ref.No.	Part No.	Ref.No.	Part No.
B	1/8	3.2	③⑥	226-50857	③⑨	226-50352
S	5/8	15.9				
K	3/8	9.5				
L	1/2	12.7	③⑦	226-50956	④⑩	226-50451
S	5/8	15.9				
N	3/4	19.1				
Q	1	25.4	③⑧	226-51053	④⑪	226-50550

Needle gauge size 針 幅		Front Metal 前 メタル		Inner Metal 中 メタル		
Code コード						
	inch	mm	Ref.No.	Part No.	Ref.No.	Part No.
B	1/8	3.2	④②	B1802-512-0A0-A	④④	B1803-515-0A0
S	5/8	15.9				
N	3/4	19.1	④③	B1802-512-0AB	④⑤	101-12357
U	1-1/2	38.1				

空環ゲージ

Needle gauge size 針 幅		Throat plate (with Thread Trimmer) 針板(糸切付)		Feed dog (with Thread Trimmer) 送り歯(糸切付)		Presser Foot asm. 押 さ え(組)		Feed Dog Screw 送り歯止めねじ		
Code コード										
	inch	mm	Ref.No.	Part No.	Ref.No.	Part No.	Ref.No.	Part No.	Ref.No.	Part No.
D	3/16	4.8	④⑥	228-35201	④⑧	106-91053	④⑩	B1524-512-DBH	④②	SS-6580710-TP
F	1/4	6.4	④⑦	228-35300	④⑨	106-98652	④⑪	B1524-512-FBE	④③	SS-6580710-TP

ワイパー

Needle gauge size 針 幅		Wiper ワイパー		
Code コード				
	inch	mm	Ref.No.	Part No.
A	3/32	2.4	⑤④	102-09203
S	5/8	15.9		
K	3/8	9.5		
W	7/16	11.1	⑤⑤	102-09500
S	5/8	15.9		
N	3/4	19.1	⑤⑥	102-09807
S	7/8	22.2		
Q	1/2	25.4	⑤⑦	102-09906
S	1-1/4	31.8		

No.	品番	品名	備考	子部品	消耗品	個数
1	22660401	THROAT PLATE 3/16				1.00
2	22660500	THROAT PLATE 7/32				1.00
3	22660609	THROAT PLATE 1/4				1.00
4	22660708	THROAT PLATE 9/32				1.00
5	22660807	THROAT PLATE 5/16				1.00
6	22660906	THROAT PLATE 3/8				1.00
7	22661102	THROAT PLATE 1/2				1.00
8	22821201	THREAD CUTTING FEED DOG 3/16				1.00
9	22821300	FEED DOG 7/32 D=2.4				1.00
10	22821409	FEED DOG(D=2.4) 1/4				1.00
11	22821508	FEED DOG D=2.4 9/32				1.00
12	22821607	FEED DOG D=2.4 5/16				1.00
13	22821706	FEED DOG 3/8 D=2.4				1.00
14	22821805	FEED DOG(D=2.4) 1/2				1.00
15	B1402528DALA	NEEDLE CLAMP ASM. LEFT				1.00
16	B1402528EAL	NEEDLE CLAMP ASM. 7/32				1.00
17	B1402528FALA	NEEDLE CLAMP ASM. 1/4				1.00
18	B1402528GAL	NEEDLE CLAMP ASM., LEFT				1.00
19	B1402528HALA	NEEDLE CLAMP ASM. 5/16				1.00
20	B1402528KALA	NEEDLE CLAMP ASM. 3/8				1.00
21	B1402528LAL	NEEDLE CLAMP ASM., LEFT 1/2				1.00
22	B1402528DARA	NEEDLE CLAMP ASM. RIGHT				1.00
23	B1402528EAR	NEEDLE CLAMP ASM. 7/32				1.00
24	B1402528FARA	NEEDLE CLAMP ASM. 1/4				1.00
25	B1402528GAR	NEEDLE CLAMP ASM., RIGHT				1.00
26	B1402528HARA	NEEDLE CLAMP ASM. 5/16				1.00
27	B1402528KARA	NEEDLE CLAMP ASM. 3/8				1.00
28	B1402528LAR	NEEDLE CLAMP ASM., RIGHT 1/2				1.00
29	22816557	TIP-DIVIDED PRESSER ASM. 3/16				1.00
30	22816656	TIP-DIVIDED PRESSER ASM. 7/32				1.00
31	22816755	PRESSER FOOT ASM. 1/4				1.00
32	22816854	TIP-DIVIDED PRESSER ASM. 9/32				1.00
33	22816953	TIP-DIVIDED PRESSER ASM. 5/16				1.00
34	22817050	PRESSER FOOT ASM. D=2.4 (3/8)				1.00
35	22817159	PRESSER FOOT ASM. D=2.4 (1/2)				1.00
36	22650857	BED SLIDE LEFT, ASM., A				1.00
37	22650956	LEFT SLIDER PLATE B ASM.				1.00
38	22651053	BED SLIDE LEFT, ASM., C				1.00
39	22650352	BED SLIDE RIGHT, ASM., A				1.00
40	22650451	RIGHT SLIDER PLATE B ASM.				1.00
41	22650550	BED SLIDE RIGHT, ASM., C				1.00
42	B18025120A0A	BUSHING ASM., FRONT				1.00
43	B18025120AB	BUSHING ASM., FRONT				1.00
44	B18035150A0	BUSHING ASM., INTERMEDIATE				1.00
45	10112357	BUSHING ASM. INTERMEDIATE				1.00
46	22835201	THROAT PLATE (P=4) 3/16				1.00
47	22835300	THROAT PLATE (P=4) 1/4				1.00
48	10691053	FEED DOG 3/16 ASM.				1.00
49	10698652	FEED DOG 1/4 ASM.				1.00
50	B1524512DBH	PRESSER FOOT 3/16 ASM.				1.00

51	B1524512FBE	PRESSER FOOT ASM. 1/4				1.00
52	SS6580710TP	SCREW				1.00
53	SS6580710TP	SCREW				1.00
54	10209203	WIPER 3/32-3/8				1.00
55	10209500	WIPER				1.00
56	10209807	WIPER				1.00
57	10209906	WIPER				1.00

HOW TO MAKE USE OF THIS PARTS LIST

1.Explanation of codes

1)"*"mark.....means this part is changed from the previous parts book.

As to the details of the change, refer to the "List for information of change".

2)"#01".....refer to "Note" explanation at bottom of page.

2.Codes on the "Qty" column

· Each numeral indicates the number of parts required.

· "0.1" and "2.5" indicate the length (in meters) of the respective parts.

3.Parentheses mean that the corresponding part is a subpart that constructs an assembly part.

4.Dotted lines on the Figures indicate assembly parts.

1."注記"欄の記号説明

1) "*"印.....前回のパーツブックに比較して今回変更された部品を意味します。

変更内容は、"変更情報リスト"を参照してください。

2) "#01".....ページ下の"注記"の説明を参照してください。

2.数量欄の数字は、個数を表し、0.1、2.5等の数値は、長さ（単位メートル）を表します。

3.数量欄の（ ）は、組部品を構成している子部品であることを意味します。

4.イラストページの-----枠は、組構成であることを意味します。